

Article

Breathers in Hamiltonian \mathcal{PT} -Symmetric Chains of Coupled Pendula under a Resonant Periodic Force

Alexander Chernyavsky¹ and Dmitry E. Pelinovsky^{1,2,*}

¹ Department of Mathematics, McMaster University, Hamilton, ON L8S 4K1, Canada; chernya@math.mcmaster.ca

² Department of Applied Mathematics, Nizhny Novgorod State Technical University, Nizhny Novgorod, 603950, Russia

* Correspondence: dmpeli@math.mcmaster.ca; Tel.: +1-905-525-9140

Academic Editor: Blas Manuel Rodríguez-Lara

Received: 20 May 2016; Accepted: 30 June 2016; Published: 8 July 2016

Abstract: We derive a Hamiltonian version of the \mathcal{PT} -symmetric discrete nonlinear Schrödinger equation that describes synchronized dynamics of coupled pendula driven by a periodic movement of their common strings. In the limit of weak coupling between the pendula, we classify the existence and spectral stability of breathers (time-periodic solutions localized in the lattice) supported near one pair of coupled pendula. Orbital stability or instability of breathers is proved in a subset of the existence region.

Keywords: discrete nonlinear Schrödinger equation; \mathcal{PT} -symmetry; existence of breathers; spectral and orbital stability

1. Introduction

Synchronization is a dynamical process where two or more interacting oscillatory systems end up with identical movement. In 1665, Huygens experimented with maritime pendulum clocks and discovered the anti-phase synchronization of two pendulum clocks mounted on the common frame [1]. Since then, synchronization has become a basic concept in nonlinear and complex systems [2]. Such systems include, but are not limited to, musical instruments, electric power systems, and lasers. There are numerous applications in mechanical [3] and electrical [4] engineering. New applications are found in mathematical biology such as synchronous variation of cell nuclei, firing of neurons, forms of cooperative behavior of animals and humans [5].

Recently, Huygen's experiment has been widely discussed and several experimental devices were built [6–8]. It was shown that two real mechanical clocks when mounted to a horizontally moving beam can synchronize both in-phase and anti-phase [9]. In all these experiments synchronization was achieved due to energy transfer via the oscillating beam, supporting Huygen's intuition [6].

One of the rapidly developing areas in between physics and mathematics, is the topic of \mathcal{PT} -symmetry, which has started as a way to characterize non-Hermitian Hamiltonians in quantum mechanics [10]. The key idea is that a linear Schrödinger operator with a complex-valued potential, which is symmetric with respect to combined parity (\mathcal{P}) and time-reversal (\mathcal{T}) transformations, may have a real spectrum up to a certain critical value of the complex potential amplitude. In nonlinear systems, this distinctive feature may lead to existence of breathers (time-periodic solutions localized in space) as continuous families of their energy parameter.

The most basic configuration having \mathcal{PT} symmetry is a dimer, which represents a system of two coupled oscillators, one of which has damping losses and the other one gains some energy from external sources. This configuration was studied in numerous laboratory experiments involving electric circuits [11], superconductivity [12], optics [13,14] and microwave cavities [15].

In the context of synchronization of coupled oscillators in a \mathcal{PT} -symmetric system, one of the recent experiments was performed by Bender et al. [16]. These authors considered a \mathcal{PT} -symmetric Hamiltonian system describing the motion of two coupled pendula whose bases were connected by a horizontal rope which moves periodically in resonance with the pendula. The phase transition phenomenon, which is typical for \mathcal{PT} -symmetric systems, happens when some of the real eigenvalues of the complex-valued Hamiltonian become complex. The latter regime is said to have broken \mathcal{PT} symmetry.

On the analytical side, dimer equations were found to be completely integrable [17,18]. Integrability of dimers is obtained by using Stokes variables and it is lost when more coupled nonlinear oscillators are added into a \mathcal{PT} -symmetric system. Nevertheless, it was understood recently [19,20] that there is a remarkable class of \mathcal{PT} -symmetric dimers with cross-gradient Hamiltonian structure, where the real-valued Hamiltonians exist both in finite and infinite chains of coupled nonlinear oscillators. Analysis of synchronization in the infinite chains of coupled oscillators in such class of models is a subject of this work.

In the rest of this section, we describe how this paper is organized. We also describe the main findings obtained in this work.

Section 2 introduces the main model of coupled pendula driven by a resonant periodic movement of their common strings. See Figure 1 for a schematic picture. By using an asymptotic multi-scale method, the oscillatory dynamics of coupled pendula is reduced to a \mathcal{PT} -symmetric discrete nonlinear Schrödinger (dNLS) equation with gains and losses. This equation generalizes the dimer equation derived in [16,20].

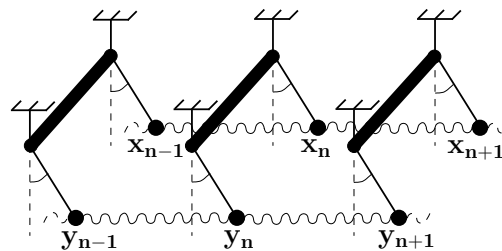


Figure 1. A schematic picture for the chain of coupled pendula connected by torsional springs, where each pair is hung on a common string.

Section 3 describes symmetries and conserved quantities for the \mathcal{PT} -symmetric dNLS equation. In particular, we show that the cross-gradient Hamiltonian structure obtained in [19,20] naturally appears in the asymptotic reduction of the original Hamiltonian structure of Newton's equations of motion for the coupled pendula.

Section 4 is devoted to characterization of breathers, which are time-periodic solutions localized in the chain with the frequency parameter E and the amplitude parameter A . We show that depending on parameters of the model (such as detuning frequency, coupling constant, driving force amplitude), there are three possible types of breather solutions. For the first type, breathers of small and large amplitudes A are connected to each other and do not extend to symmetric synchronized oscillations of coupled pendula. In the second and third types, large-amplitude and small-amplitude breathers are connected to the symmetric synchronized oscillations but are not connected to each other. See Figure 2 with branches (a), (b), and (c), where the symmetric synchronized oscillations correspond to the value $E = 0$.

Section 5 contains a routine analysis of linear stability of the zero equilibrium, where the phase transition threshold to the broken \mathcal{PT} -symmetry phase is explicitly found. Breathers are only studied for the parameters where the zero equilibrium is linearly stable.

Section 6 explores the Hamiltonian structure of the \mathcal{PT} -symmetric dNLS equation and characterizes breathers obtained in Section 4 from their energetic point of view. We show that the

breathers for large value of frequency E appear to be saddle points of the Hamiltonian function between continuous spectra of positive and negative energy, similar to the standing waves in the Dirac models. Therefore, it is not clear from the energetic point of view if such breathers are linearly or nonlinearly stable. On the other hand, we show that the breathers for smaller values of frequency E appear to be saddle points of the Hamiltonian function with a negative continuous spectrum and finitely many (either three or one) positive eigenvalues.

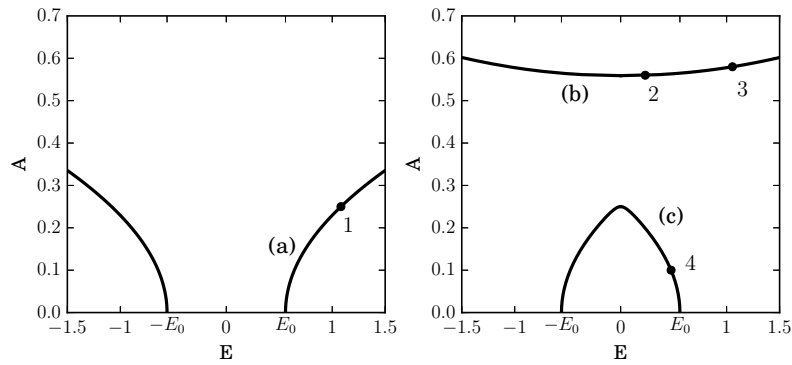


Figure 2. Solution branches for the stationary dimer.

Section 7 is devoted to analysis of spectral and orbital stability of breathers. For spectral stability, we use the limit of small coupling constant between the oscillators (the same limit is also used in Sections 4 and 6) and characterize eigenvalues of the linearized operator. The main analytical results are also confirmed numerically. See Figure 3 for the three types of breathers. Depending on the location of the continuous spectral bands relative to the location of the isolated eigenvalues, we are able to prove nonlinear orbital stability of breathers for branches (b) and (c). We are also able to characterize instabilities of these types of breathers that emerge depending on parameters of the model. Regarding branch (a), nonlinear stability analysis is not available by using the energy method. Our follow-up work [21] develops a new method of analysis to prove the long-time stability of breathers for branch (a).

The summary of our findings is given in the concluding Section 8, where the main results are shown in the form of Table 1.

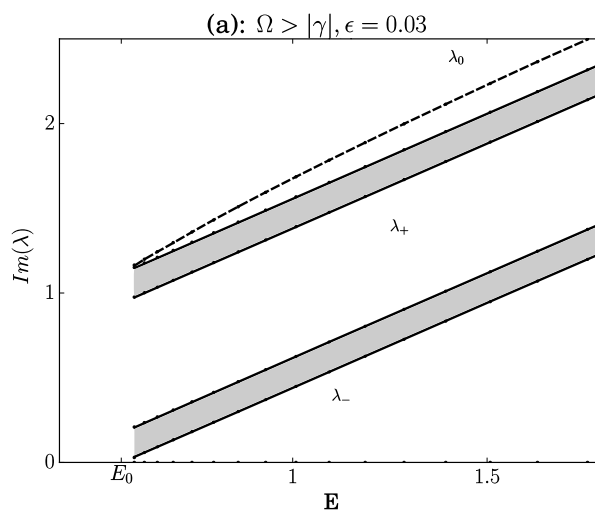


Figure 3. Cont.

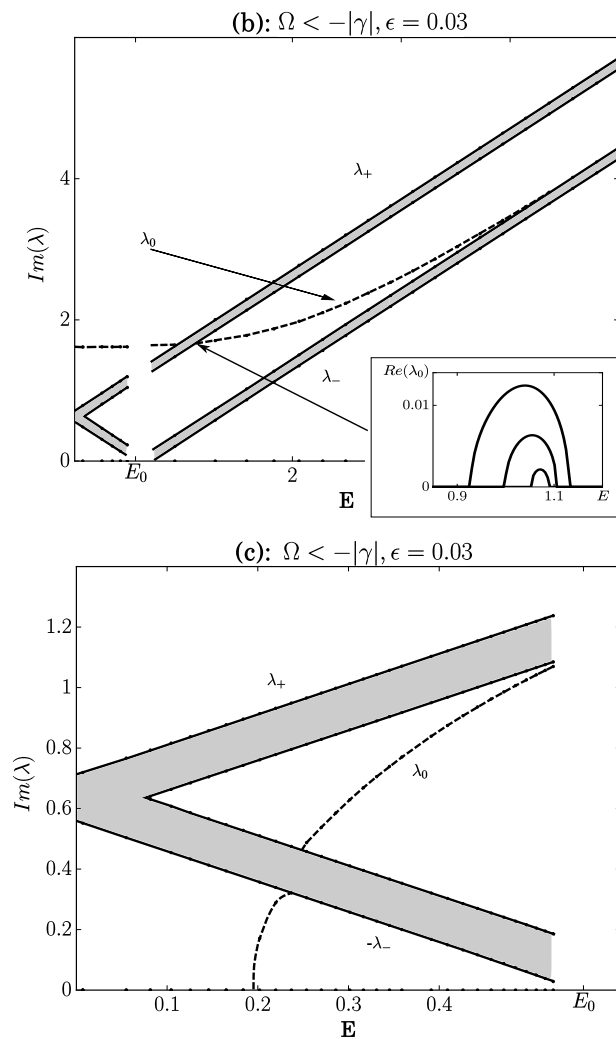


Figure 3. The spectrum of the stability problem for different branches of breathers.

Table 1. A summary of results on breather solutions for small ϵ . Here, IB is a narrow instability bubble seen on panel (b) of Figure 3.

Parameter Intervals	$ E > E_0$		$ E < E_0$	
	$\Omega > \gamma $	$\Omega < - \gamma $	$\Omega < - \gamma $	$\Omega < - \gamma $
Existence on Figure 2	point 1 on branch (a)	point 2 on branch (b)	point 3 on branch (b)	point 4 on branch (c)
Continuum	Sign-indefinite	Sign-indefinite	Negative	Negative
Spectral stability	Yes	Yes (IB)	Yes (IB)	Depends on parameters
Orbital stability	No	No	Yes if $ \lambda_0 > \lambda_{\pm} $	Yes if spectrally stable

2. Model

A simple yet universal model widely used to study coupled nonlinear oscillators is the Frenkel-Kontorova (FK) model [22]. It describes a chain of classical particles coupled to their neighbors and subjected to a periodic on-site potential. In the continuum approximation, the FK model reduces to the sine-Gordon equation, which is exactly integrable. The FK model is known to describe a rich variety of important nonlinear phenomena, which find applications in solid-state physics and nonlinear science [23].

We consider here a two-array system of coupled pendula, where each pendulum is connected to the nearest neighbors by linear couplings. Figure 1 shows schematically that each array of pendula

is connected in the longitudinal direction by the torsional springs, whereas each pair of pendula is connected in the transverse direction by a common string. Newton’s equations of motion are given by

$$\begin{cases} \ddot{x}_n + \sin(x_n) = C(x_{n+1} - 2x_n + x_{n-1}) + Dy_n, \\ \ddot{y}_n + \sin(y_n) = C(y_{n+1} - 2y_n + y_{n-1}) + Dx_n, \end{cases} \quad n \in \mathbb{Z}, \quad t \in \mathbb{R} \tag{1}$$

where (x_n, y_n) correspond to the angles of two arrays of pendula, dots denote derivatives of angles with respect to time t , and the positive parameters C and D describe couplings between the two arrays in the longitudinal and transverse directions, respectively. The type of coupling between the two pendula with the angles x_n and y_n is referred to as the *direct coupling* between nonlinear oscillators (see Section 8.2 in [5]).

We consider oscillatory dynamics of coupled pendula under the following assumptions.

- (A1) The coupling parameters C and D are small. Therefore, we can introduce a small parameter μ such that both C and D are proportional to μ^2 .
- (A2) A resonant periodic force is applied to the common strings for each pair of coupled pendula. Therefore, D is considered to be proportional to $\cos(2\omega t)$, where ω is selected near the unit frequency of linear pendula indicating the 1 : 2 parametric resonance between the force and the pendula.

Mathematically, we impose the following representation for parameters C and $D(t)$:

$$C = \epsilon\mu^2, \quad D(t) = 2\gamma\mu^2 \cos(2\omega t), \quad \omega^2 = 1 + \mu^2\Omega \tag{2}$$

where γ, ϵ, Ω are μ -independent parameters, whereas μ is the formal small parameter to characterize the two assumptions (A1) and (A2).

In the formal limit $\mu \rightarrow 0$, the pendula are uncoupled, and their small-amplitude oscillations can be studied with the asymptotic multi-scale expansion

$$\begin{cases} x_n(t) = \mu [A_n(\mu^2 t)e^{i\omega t} + \bar{A}_n(\mu^2 t)e^{-i\omega t}] + \mu^3 X_n(t; \mu) \\ y_n(t) = \mu [B_n(\mu^2 t)e^{i\omega t} + \bar{B}_n(\mu^2 t)e^{-i\omega t}] + \mu^3 Y_n(t; \mu) \end{cases} \tag{3}$$

where (A_n, B_n) are amplitudes for nearly harmonic oscillations and (X_n, Y_n) are remainder terms. In a similar context of single-array coupled nonlinear oscillators, it is shown in [24] how the asymptotic expansions (3) can be justified. From the conditions that the remainder terms (X_n, Y_n) remain bounded as the system evolves, the amplitudes (A_n, B_n) are shown to satisfy the discrete nonlinear Schrödinger (dNLS) equations, which bring together all the phenomena affecting the nearly harmonic oscillations (such as cubic nonlinear terms, the detuning frequency, the coupling between the oscillators, and the amplitude of the parametric driving force). A similar derivation for a single pair of coupled pendula is reported in [20].

Using the algorithm in [24] and restricting the scopes of this derivation to the formal level, we write the truncated system of equations for the remainder terms:

$$\begin{cases} \ddot{X}_n + X_n = F_n^{(1)} e^{i\omega t} + \overline{F_n^{(1)}} e^{-i\omega t} + F_n^{(3)} e^{3i\omega t} + \overline{F_n^{(3)}} e^{-3i\omega t}, \\ \ddot{Y}_n + Y_n = G_n^{(1)} e^{i\omega t} + \overline{G_n^{(1)}} e^{-i\omega t} + G_n^{(3)} e^{3i\omega t} + \overline{G_n^{(3)}} e^{-3i\omega t}, \end{cases} \quad n \in \mathbb{Z}, \quad t \in \mathbb{R} \tag{4}$$

where $F_n^{(1,3)}$ and $G_n^{(1,3)}$ are uniquely defined. Bounded solutions to the linear inhomogeneous Equation (4) exist if and only if $F_n^{(1)} = G_n^{(1)} = 0$ for every $n \in \mathbb{Z}$. Straightforward computations

show that the conditions $F_n^{(1)} = G_n^{(1)} = 0$ are equivalent to the following evolution equations for slowly varying amplitudes (A_n, B_n) :

$$\begin{cases} 2i\dot{A}_n = \epsilon (A_{n+1} - 2A_n + A_{n-1}) + \Omega A_n + \gamma \bar{B}_n + \frac{1}{2}|A_n|^2 A_n, \\ 2i\dot{B}_n = \epsilon (B_{n+1} - 2B_n + B_{n-1}) + \Omega B_n + \gamma \bar{A}_n + \frac{1}{2}|B_n|^2 B_n, \end{cases} \quad n \in \mathbb{Z}, \quad t \in \mathbb{R} \quad (5)$$

The System (5) takes the form of coupled parametrically forced dNLS equations. There exists an invariant reduction of System (5) given by

$$A_n = B_n, \quad n \in \mathbb{Z} \quad (6)$$

to the scalar parametrically forced dNLS equation. Existence and stability of breathers in such scalar dNLS equations was considered numerically by Susanto et al. in [25,26].

The Reduction (6) corresponds to the symmetric synchronized oscillations of coupled pendula of the Model (1) with

$$x_n = y_n, \quad n \in \mathbb{Z} \quad (7)$$

In what follows, we consider a more general class of synchronized oscillations of coupled pendula of the Model (1). The solutions we consider also generalize the breather solutions of the coupled parametrically forced dNLS Equation (5).

When $\gamma = 0$, the System (5) is equivalent to an uncoupled system of dNLS equations, which have many applications in physics, including nonlinear optics. In the optics context, the system describes two arrays of optical waveguides with Kerr nonlinearity and nearest-neighbor interactions (see the review and references in [27]). The γ term realizes a cross-phase linear coupling between the two arrays of optical waveguides. This type of coupling occurs typically due to parametric resonance in the optical systems (see [28] and references therein).

The System (5) can be cast to the form of the parity–time reversal (\mathcal{PT}) dNLS equations [20]. Using the variables

$$u_n := \frac{1}{4} (A_n - i\bar{B}_n), \quad v_n := \frac{1}{4} (A_n + i\bar{B}_n) \quad (8)$$

the System (5) is rewritten in the equivalent form

$$\begin{cases} 2i\dot{u}_n = \epsilon (v_{n+1} - 2v_n + v_{n-1}) + \Omega v_n + i\gamma u_n + 2 [(2|u_n|^2 + |v_n|^2) v_n + u_n^2 \bar{v}_n] \\ 2i\dot{v}_n = \epsilon (u_{n+1} - 2u_n + u_{n-1}) + \Omega u_n - i\gamma v_n + 2 [(|u_n|^2 + 2|v_n|^2) u_n + \bar{u}_n v_n^2] \end{cases} \quad (9)$$

which is the starting point for our analytical and numerical work. The invariant Reduction (6) for System (5) becomes

$$\text{Im}(e^{\frac{i\pi}{4}} u_n) = 0, \quad \text{Im}(e^{-\frac{i\pi}{4}} v_n) = 0, \quad n \in \mathbb{Z} \quad (10)$$

Without loss of generality, one can scale parameters Ω , ϵ , and γ by a factor of two in order to eliminate the numerical factors in the System (9). Also in the context of hard nonlinear oscillators (e.g., in the framework of the ϕ^4 theory), the cubic nonlinearity may have the opposite sign compared to the one in the System (9). However, given the applied context of the system of coupled pendula, we will stick to the specific form given by Equation (9) in further analysis.

3. Symmetries and Conserved Quantities

The System (9) is referred to as the \mathcal{PT} -symmetric dNLS equation because the solutions remain invariant with respect to the action of the parity \mathcal{P} and time-reversal \mathcal{T} operators given by

$$\mathcal{P} \begin{bmatrix} u \\ v \end{bmatrix} = \begin{bmatrix} v \\ u \end{bmatrix}, \quad \mathcal{T} \begin{bmatrix} u(t) \\ v(t) \end{bmatrix} = \begin{bmatrix} \bar{u}(-t) \\ \bar{v}(-t) \end{bmatrix} \quad (11)$$

The parameter γ introduces the gain–loss coefficient in each pair of coupled oscillators due to the resonant periodic force. In the absence of all other effects, the γ -term of the first equation of System (9) induces the exponential growth of amplitude u_n , whereas the γ -term of the second equation induces the exponential decay of amplitude v_n , if $\gamma > 0$.

The System (9) truncated at a single site (say $n = 0$) is called the \mathcal{PT} -symmetric dimer. In the work of Barashenkov et al. [20], it was shown that all \mathcal{PT} -symmetric dimers with physically relevant cubic nonlinearities represent Hamiltonian systems in appropriately introduced canonical variables. However, the \mathcal{PT} -symmetric dNLS equation on a lattice does not typically have a Hamiltonian form if $\gamma \neq 0$.

Nevertheless, the particular nonlinear functions arising in the System (9) correspond to the \mathcal{PT} -symmetric dimers with a cross–gradient Hamiltonian structure [20], where variables (u_n, \bar{v}_n) are canonically conjugate. As a result, the System (9) on the chain \mathbb{Z} has additional conserved quantities. This fact looked like a mystery in the recent works [19,20].

Here we clarify the mystery in the context of the derivation of the \mathcal{PT} -symmetric dNLS Equation (9) from the original System (1). Indeed, the System (1) of classical Newton particles has a standard Hamiltonian structure with the energy function

$$H_{x,y}(t) = \sum_{n \in \mathbb{Z}} \frac{1}{2}(\dot{x}_n^2 + \dot{y}_n^2) + 2 - \cos(x_n) - \cos(y_n) + \frac{1}{2}C(x_{n+1} - x_n)^2 + \frac{1}{2}C(y_{n+1} - y_n)^2 - D(t)x_n y_n \quad (12)$$

Since the periodic movement of common strings for each pair of pendula result in the time-periodic coefficient $D(t)$, the energy $H_{x,y}(t)$ is a periodic function of time t . In addition, no other conserved quantities such as momenta exist typically in lattice differential systems such as the System (1) due to broken continuous translational symmetry.

After the System (1) is reduced to the coupled dNLS Equation (5) with the asymptotic Expansion (3), we can write the evolution Problem (5) in the Hamiltonian form with the standard straight-gradient symplectic structure

$$2i \frac{dA_n}{dt} = \frac{\partial H_{A,B}}{\partial \bar{A}_n}, \quad 2i \frac{dB_n}{dt} = \frac{\partial H_{A,B}}{\partial \bar{B}_n}, \quad n \in \mathbb{Z} \quad (13)$$

where the time variable t stands now for the slow time $\mu^2 t$ and the energy function is

$$H_{A,B} = \sum_{n \in \mathbb{Z}} \frac{1}{4}(|A_n|^4 + |B_n|^4) + \Omega(|A_n|^2 + |B_n|^2) + \gamma(A_n B_n + \bar{A}_n \bar{B}_n) - \epsilon|A_{n+1} - A_n|^2 - \epsilon|B_{n+1} - B_n|^2 \quad (14)$$

The energy function $H_{A,B}$ is conserved in the time evolution of the Hamiltonian System (13). In addition, there exists another conserved quantity

$$Q_{A,B} = \sum_{n \in \mathbb{Z}} (|A_n|^2 - |B_n|^2) \quad (15)$$

which is related to the gauge symmetry $(A, B) \rightarrow (Ae^{i\alpha}, Be^{i\alpha})$ with $\alpha \in \mathbb{R}$ for solutions to the System (5).

When the transformation of Variables (8) is used, the \mathcal{PT} -symmetric dNLS Equation (9) is cast to the Hamiltonian form with the cross-gradient symplectic structure

$$2i \frac{du_n}{dt} = \frac{\partial H_{u,v}}{\partial \bar{v}_n}, \quad 2i \frac{dv_n}{dt} = \frac{\partial H_{u,v}}{\partial \bar{u}_n}, \quad n \in \mathbb{Z} \quad (16)$$

where the energy function is

$$H_{u,v} = \sum_{n \in \mathbb{Z}} (|u_n|^2 + |v_n|^2)^2 + (u_n \bar{v}_n + \bar{u}_n v_n)^2 + \Omega(|u_n|^2 + |v_n|^2) - \epsilon |u_{n+1} - u_n|^2 - \epsilon |v_{n+1} - v_n|^2 + i\gamma(u_n \bar{v}_n - \bar{u}_n v_n) \quad (17)$$

The gauge-related function is written in the form

$$Q_{u,v} = \sum_{n \in \mathbb{Z}} (u_n \bar{v}_n + \bar{u}_n v_n) \quad (18)$$

The functions $H_{u,v}$ and $Q_{u,v}$ are conserved in the time evolution of the System (9). These functions follow from Equations (14) and (15) after the Transformation (8) is used. Thus, the cross-gradient Hamiltonian structure of the \mathcal{PT} -symmetric dNLS Equation (9) is inherited from the Hamiltonian structure of the coupled oscillator Model (1).

4. Breathers (Time-Periodic Solutions)

We characterize the existence of breathers supported by the \mathcal{PT} -symmetric dNLS Equation (9). In particular, breather solutions are continued for small values of coupling constant ϵ from solutions of the dimer equation arising at a single site, say the central site at $n = 0$. We shall work in a sequence space $\ell^2(\mathbb{Z})$ of square integrable complex-valued sequences.

Time-periodic solutions to the \mathcal{PT} -symmetric dNLS Equation (9) are given in the form [29,30]:

$$u(t) = Ue^{-\frac{1}{2}iEt}, \quad v(t) = Ve^{-\frac{1}{2}iEt} \quad (19)$$

where the frequency parameter E is considered to be real, the factor $1/2$ is introduced for convenience, and the sequence (U, V) is time-independent. The Breather (19) is a localized mode if $(U, V) \in \ell^2(\mathbb{Z})$, which implies that $|U_n|, |V_n| \rightarrow 0$ as $|n| \rightarrow \infty$. The Breather (19) is considered to be \mathcal{PT} -symmetric with respect to the operators in Equation (11) if $V = \bar{U}$.

The Reduction (10) for symmetric synchronized oscillations is satisfied if

$$E = 0: \quad \text{Im}(e^{\frac{i\pi}{4}} U_n) = 0, \quad \text{Im}(e^{-\frac{i\pi}{4}} V_n) = 0, \quad n \in \mathbb{Z} \quad (20)$$

The time-periodic Breathers (19) with $E \neq 0$ generalize the class of symmetric synchronized Oscillations (20).

The time-independent sequence $(U, V) \in \ell^2(\mathbb{Z})$ can be found from the stationary \mathcal{PT} -symmetric dNLS equation:

$$\begin{cases} EU_n = \epsilon(V_{n+1} - 2V_n + V_{n-1}) + \Omega V_n + i\gamma U_n + 2[(2|U_n|^2 + |V_n|^2)V_n + U_n^2 \bar{V}_n] \\ EV_n = \epsilon(U_{n+1} - 2U_n + U_{n-1}) + \Omega U_n - i\gamma V_n + 2[(|U_n|^2 + 2|V_n|^2)U_n + \bar{U}_n V_n^2] \end{cases} \quad (21)$$

The \mathcal{PT} -symmetric breathers with $V = \bar{U}$ satisfy the following scalar difference equation

$$EU_n = \epsilon(\bar{U}_{n+1} - 2\bar{U}_n + \bar{U}_{n-1}) + \Omega \bar{U}_n + i\gamma U_n + 6|U_n|^2 \bar{U}_n + 2U_n^3 \quad (22)$$

Note that the Reduction (20) is compatible with Equation (22) in the sense that if $E = 0$ and $U_n = R_n e^{-i\pi/4}$, then R satisfies a real-valued difference equation.

Let us set $\epsilon = 0$ for now and consider solutions to the dimer equation at the central site $n = 0$:

$$(E - i\gamma)U_0 - \Omega \bar{U}_0 = 6|U_0|^2 \bar{U}_0 + 2U_0^3 \quad (23)$$

The parameters γ and Ω are considered to be fixed, and the breather parameter E is thought to parameterize continuous branches of solutions to the nonlinear algebraic Equation (23). The solution branches depicted on Figure 2 are given in the following lemma.

Lemma 1. Assume $\gamma \neq 0$. The algebraic Equation (23) admits the following solutions depending on γ and Ω :

- (a) $\Omega > |\gamma|$ - two symmetric unbounded branches exist for $\pm E > E_0$,
- (b) $\Omega < |\gamma|$ - an unbounded branch exists for every $E \in \mathbb{R}$,
- (c) $\Omega < -|\gamma|$ - a bounded branch exists for $-E_0 < E < E_0$,

where $E_0 := \sqrt{\Omega^2 - \gamma^2}$.

Proof. Substituting the decomposition $U_0 = Ae^{i\theta}$ with $A > 0$ and $\theta \in [-\pi, \pi)$ into the algebraic Equation (23), we obtain

$$\sin(2\theta) = \frac{\gamma}{4A^2 + \Omega}, \quad \cos(2\theta) = \frac{E}{8A^2 + \Omega} \quad (24)$$

Excluding θ by using the fundamental trigonometric identity, we obtain the explicit parametrization of the solutions to the algebraic Equation (23) by the amplitude parameter A :

$$E^2 = (8A^2 + \Omega)^2 \left[1 - \frac{\gamma^2}{(4A^2 + \Omega)^2} \right] \quad (25)$$

The zero-amplitude limit $A = 0$ is reached if $|\Omega| > |\gamma|$, in which case $E = \pm E_0$, where $E_0 := \sqrt{\Omega^2 - \gamma^2}$. If $|\Omega| < |\gamma|$, the solution branches (if they exist) are bounded away from the zero solution.

Now we analyze the three cases of parameters γ and Ω formulated in the lemma.

- (a) If $\Omega > |\gamma|$, then the Parametrization (25) yields a monotonically increasing map $\mathbb{R}^+ \ni A^2 \mapsto E^2 \in (E_0^2, \infty)$ because

$$\frac{dE^2}{dA^2} = \frac{8(8A^2 + \Omega)}{(4A^2 + \Omega)^3} \left[2(4A^2 + \Omega)^3 - \gamma^2\Omega \right] > 0 \quad (26)$$

In the two asymptotic limits, we obtain from Equation (25):

$$E^2 = E_0^2 + \mathcal{O}(A^2) \quad \text{as } A \rightarrow 0 \quad \text{and} \quad E^2 = 64A^4 + \mathcal{O}(A^2) \quad \text{as } A \rightarrow \infty.$$

See Figure 2a.

- (b) If $\Omega < |\gamma|$, the Parametrization (25) yields a monotonically increasing map $(A_+^2, \infty) \ni A^2 \mapsto E^2 \in \mathbb{R}^+$, where

$$A_+^2 := \frac{|\gamma| - \Omega}{4}. \quad (27)$$

Indeed, we note that $4A^2 + \Omega \geq 4A_+^2 + \Omega = |\gamma| > 0$ and

$$2(4A^2 + \Omega)^3 - \gamma^2\Omega \geq \gamma^2(2|\gamma| - \Omega) > 0,$$

so that the derivative in Equation (26) is positive for every $A^2 \geq A_+^2$. We have

$$E^2 \rightarrow 0 \quad \text{as } A^2 \rightarrow A_+^2 \quad \text{and} \quad E^2 = 64A^4 + \mathcal{O}(A^2) \quad \text{as } A \rightarrow \infty.$$

See Figure 2b.

- (c) If $\Omega < -|\gamma|$, then the Parametrization (25) yields a monotonically decreasing map $(0, A_-^2) \ni A^2 \mapsto E^2 \in (0, E_0^2)$, where

$$A_-^2 := \min \left\{ \frac{|\Omega| - |\gamma|}{4}, \frac{|\Omega|}{8} \right\} \tag{28}$$

In Equation (28), the first choice is made if $|\Omega| \in (|\gamma|, 2|\gamma|)$ and the second choice is made if $|\Omega| \in (2|\gamma|, \infty)$. Both choices are the same if $|\Omega| = 2|\gamma|$. We note that $8A^2 \leq |\Omega|$, therefore, the Derivative (26) needs to be rewritten in the form

$$\frac{dE^2}{dA^2} = -\frac{8(|\Omega| - 8A^2)}{(|\Omega| - 4A^2)^3} \left[2(|\Omega| - 4A^2)^3 - \gamma^2|\Omega| \right] < 0 \tag{29}$$

where $2(|\Omega| - 4A^2)^3 - \gamma^2|\Omega| > 0$ for both $|\Omega| \in (|\gamma|, 2|\gamma|)$ and $|\Omega| \in [2|\gamma|, \infty)$. In the two asymptotic limits, we obtain from Equation (25):

$$E^2 = E_0^2 + \mathcal{O}(A^2) \quad \text{as } A \rightarrow 0 \quad \text{and} \quad E^2 \rightarrow 0 \quad \text{as } A^2 \rightarrow A_-^2$$

See Figure 2c.

Note that branches (b) and (c) coexist for $\Omega < -|\gamma|$. \square

Remark 1. The Reduction (20) corresponds to the choice:

$$E = 0, \quad \theta = -\frac{\pi}{4}, \quad 4A^2 + \Omega + \gamma = 0$$

If $\gamma > 0$, this choice corresponds to $A = A_-$ for $\Omega \in (-2|\gamma|, -|\gamma|)$, that is, the point $E = 0$ on branch (c). If $\gamma < 0$, it corresponds to $A = A_+$ for any $\Omega < |\gamma|$, that is, the point $E = 0$ on branch (b).

Every solution of Lemma 1 can be extended to a breather on the chain \mathbb{Z} which satisfies the spatial symmetry condition in addition to the \mathcal{PT} symmetry:

$$U_{-n} = U_n = \bar{V}_n = \bar{V}_{-n}, \quad n \in \mathbb{Z} \tag{30}$$

In order to prove the existence of the symmetric breather solution to the difference Equation (22), we use the following implicit function theorem.

Implicit Function Theorem (Theorem 4.E in [31]). Let X, Y and Z be Banach spaces and let $F(x, y): X \times Y \rightarrow Z$ be a C^1 map on an open neighborhood of the point $(x_0, y_0) \in X \times Y$. Assume that

$$F(x_0, y_0) = 0$$

and that

$$D_x F(x_0, y_0): X \rightarrow Z \text{ is one-to-one and onto}$$

There are $r > 0$ and $\sigma > 0$ such that for each y with $\|y - y_0\|_Y \leq \sigma$ there exists a unique solution $x \in X$ of the nonlinear equation $F(x, y) = 0$ with $\|x - x_0\|_X \leq r$. Moreover, the map $Y \ni y \mapsto x \in X$ is C^1 near $y = y_0$.

With two applications of the implicit function theorem, we prove the following main result of this section.

Theorem 1. Fix $\gamma \neq 0$, $\Omega \neq -2|\gamma|$, and $E \neq \pm E_0$, where $E_0 := \sqrt{\Omega^2 - \gamma^2} > 0$ if $|\Omega| > |\gamma|$. There exists $\epsilon_0 > 0$ sufficiently small and $C_0 > 0$ such that for every $\epsilon \in (-\epsilon_0, \epsilon_0)$, there exists a unique solution $U \in l^2(\mathbb{Z})$ to the difference Equation (22) satisfying the Symmetry (30) and the bound

$$\left| U_0 - Ae^{i\theta} \right| + \sup_{n \in \mathbb{N}} |U_n| \leq C_0|\epsilon| \tag{31}$$

where A and θ are defined in Lemma 1. Moreover, the solution U is smooth in ϵ .

Proof. In the first application of the implicit function theorem, we consider the following system of algebraic equations

$$EU_n = \epsilon (\bar{U}_{n+1} - 2\bar{U}_n + \bar{U}_{n-1}) + \Omega \bar{U}_n + i\gamma U_n + 6|U_n|^2 \bar{U}_n + 2U_n^3, \quad n \in \mathbb{N} \tag{32}$$

where $U_0 \in \mathbb{C}$ is given, in addition to parameters γ, Ω , and E .

Let $x = \{U_n\}_{n \in \mathbb{N}}, X = \ell^2(\mathbb{N}), y = \epsilon, Y = \mathbb{R}$, and $Z = \ell^2(\mathbb{N})$. Then, we have $F(0,0) = 0$ and the Jacobian operator $D_x F(0,0)$ is given by identical copies of the matrix

$$\begin{bmatrix} E - i\gamma & -\Omega \\ -\Omega & E + i\gamma \end{bmatrix}$$

with the eigenvalues $\lambda_{\pm} := E \pm \sqrt{\Omega^2 - \gamma^2}$. By the assumption of the lemma, $\lambda_{\pm} \neq 0$, so that the Jacobian operator $D_x F(0,0)$ is one-to-one and onto. By the implicit function theorem, for every $U_0 \in \mathbb{C}$ and every $\epsilon \neq 0$ sufficiently small, there exists a unique small solution $U \in \ell^2(\mathbb{N})$ of the System (32) such that

$$\|U\|_{\ell^2(\mathbb{N})} \leq C_1 |\epsilon| \|U_0\| \tag{33}$$

where the positive constant C_1 is independent from ϵ and U_0 .

Thanks to the symmetry of the difference Equation (22), we find that $U_{-n} = U_n, n \in \mathbb{N}$ satisfy the same System (32) for $-n \in \mathbb{N}$, with the same unique solution.

In the second application of the implicit function theorem, we consider the following algebraic equation

$$EU_0 = 2\epsilon (\bar{U}_1 - \bar{U}_0) + \Omega \bar{U}_0 + i\gamma U_0 + 6|U_0|^2 \bar{U}_0 + 2U_0^3 \tag{34}$$

where $U_1 \in \mathbb{C}$ depends on U_0, γ, Ω , and E , satisfies the Bound (33), and is uniquely defined by the previous result.

Let $x = U_0, X = \mathbb{C}, y = \epsilon, Y = \mathbb{R}$, and $Z = \mathbb{C}$. Then, we have $F(Ae^{i\theta}, 0) = 0$, where A and θ are defined in Lemma 1. The Jacobian operator $D_x F(Ae^{i\theta}, 0)$ is given by the matrix

$$\begin{aligned} & \begin{bmatrix} E - i\gamma - 6U_0^2 - 6\bar{U}_0^2 & -\Omega - 12|U_0|^2 \\ -\Omega - 12|U_0|^2 & E + i\gamma - 6U_0^2 - 6\bar{U}_0^2 \end{bmatrix} \Big|_{U_0=Ae^{i\theta}} \\ &= \begin{bmatrix} E - i\gamma - \frac{12EA^2}{\Omega+8A^2} & -\Omega - 12A^2 \\ -\Omega - 12A^2 & E + i\gamma - \frac{12EA^2}{\Omega+8A^2} \end{bmatrix} \end{aligned} \tag{35}$$

We show in Lemma 2 below that the matrix given by Equation (35) is invertible under the conditions $\gamma \neq 0$ and $\Omega \neq -2|\gamma|$. By the implicit function theorem, for every $\epsilon \neq 0$ sufficiently small, there exists a unique solution $U_0 \in \mathbb{C}$ to the algebraic Equation (34) near $Ae^{i\theta}$ such that

$$|U_0 - Ae^{i\theta}| \leq C_2 |\epsilon| \tag{36}$$

where the positive constant C_2 is independent from ϵ . The Bound (31) holds thanks to the Bounds (33) and (36). Since both Equations (32) and (34) are smooth in ϵ , the solution U is smooth in ϵ . \square

In the following result, we show that the matrix given by Equation (35) is invertible for every branch of Lemma 1 with an exception of a single point $E = 0$ on branch (c) for $\Omega = -2|\gamma|$.

Lemma 2. *With the exception of the point $E = 0$ on branch (c) of Lemma 1 for $\Omega = -2|\gamma|$, the matrix given by Equation (35) is invertible for every $\gamma \neq 0$.*

Proof. The matrix given by Equation (35) has zero eigenvalue if and only if its determinant is zero, which happens at

$$\frac{E^2(\Omega - 4A^2)^2}{(\Omega + 8A^2)^2} + \gamma^2 - (\Omega + 12A^2)^2 = 0$$

Eliminating E^2 by using Parametrization (25) and simplifying the algebraic equation for nonzero A^2 , we reduce it to the form

$$2(\Omega + 4A^2)^3 = \Omega\gamma^2 \tag{37}$$

We now check if this constraint can be satisfied for the three branches of Lemma 1.

(a) If $\Omega > |\gamma|$, the Constraint (37) is not satisfied because the left-hand side

$$2(\Omega + 4A^2)^3 \geq 2\Omega^3 > 2\Omega\gamma^2$$

exceeds the right-hand side $\Omega\gamma^2$.

(b) If $\Omega < |\gamma|$ and $A^2 \geq A_+^2$, where A_+^2 is given by Equation (27), the Constraint (37) is not satisfied because the left-hand side

$$2(\Omega + 4A^2)^3 \geq 2(\Omega + 4A_+^2)^3 = 2|\gamma|^3$$

exceeds the left-hand side $\Omega\gamma^2$ both for $\Omega \in [0, |\gamma|)$ and for $\Omega < 0$.

(c) If $\Omega < -|\gamma|$ and $A^2 \leq A_-^2$, where A_-^2 is given by Equation (28), the Constraint (37) is not satisfied because the left-hand side is estimated by

$$2(4A^2 + \Omega)^3 \leq 2(4A_-^2 - |\Omega|)^3 = \min\{-2|\gamma|^3, -|\Omega|^3/4\}$$

In the first case, we have $|\Omega| \in (|\gamma|, 2|\gamma|)$, so that the left-hand side is strictly smaller than $-|\Omega|\gamma^2$. In the second case, we have $|\Omega| > 2|\gamma|$, so that the left-hand side is also strictly smaller than $-|\Omega|\gamma^2$. Only if $|\Omega| = 2|\gamma|$, the Constraint (37) is satisfied at $E = 0$, when $A^2 = A_-^2$ and

$$2(4A^2 + \Omega)^3 = -2|\gamma|^3 = -|\Omega|\gamma^2 = \Omega\gamma^2$$

Hence, the Matrix (35) is invertible for all parameter values with one exceptional case. \square

Remark 2. In the asymptotic limit $E^2 = 64A^4 + \mathcal{O}(A^2)$ as $A \rightarrow \infty$, see Lemma 1, the Matrix (35) is expanded asymptotically as

$$-\frac{1}{2} \begin{bmatrix} E & 3|E| \\ 3|E| & E \end{bmatrix} + \mathcal{O}(1) \quad \text{as } |E| \rightarrow \infty \tag{38}$$

with the two eigenvalues $\lambda_1 = E$ and $\lambda_2 = -2E$. Thus, the matrix given by Equation (38) is invertible for every branch extending to sufficiently large values of E .

5. Stability of Zero Equilibrium

Here we discuss the linear stability of the zero equilibrium in the \mathcal{PT} -symmetric dNLS Equation (9). The following proposition yields a simple result.

Proposition 1. The zero equilibrium of the \mathcal{PT} -symmetric dNLS Equation (9) is linearly stable if $|\gamma| < \gamma_0$, where

$$\gamma_0 := \begin{cases} \Omega - 4\epsilon, & \Omega > 0 \\ |\Omega|, & \Omega < 0 \end{cases} \tag{39}$$

The zero equilibrium is linearly unstable if $|\gamma| > \gamma_0$.

Proof. Truncating the \mathcal{PT} -symmetric dNLS Equation (9) at the linear terms and using the Fourier transform

$$u_n(t) = \frac{1}{2\pi} \int_{-\pi}^{\pi} \hat{U}(k) e^{ikn+i\omega(k)t} dk \quad (40)$$

we obtain the linear homogeneous system

$$\hat{D}(k) \begin{bmatrix} \hat{U}(k) \\ \hat{V}(k) \end{bmatrix} = \begin{bmatrix} 0 \\ 0 \end{bmatrix}, \quad \text{where} \quad \hat{D}(k) := \begin{bmatrix} -2\omega(k) - i\gamma & -\Omega + 4\epsilon \sin^2(k/2) \\ -\Omega + 4\epsilon \sin^2(k/2) & -2\omega(k) + i\gamma \end{bmatrix}$$

The determinant of $\hat{D}(k)$ is zero if and only if $\omega(k)$ is found from the quadratic equation

$$4\omega^2(k) + \gamma^2 - \left(\Omega - 4\epsilon \sin^2 \frac{k}{2} \right)^2 = 0 \quad (41)$$

For any $|\gamma| < \gamma_0$, where γ_0 is given by Equation (39), the two branches $\pm\omega(k)$ found from the quadratic Equation (41) are real-valued and non-degenerate for every $k \in [-\pi, \pi]$. Therefore, the zero equilibrium is linearly stable.

On the other hand, for any $|\gamma| > \gamma_0$, the values of $\omega(k)$ are purely imaginary either near $k = \pm\pi$ if $\Omega > 0$ or near $k = 0$ if $\Omega < 0$. Therefore, the zero equilibrium is linearly unstable. \square

Remark 3. The value γ_0 given by Equation (39) represents the phase transition threshold and the \mathcal{PT} -symmetric dNLS Equation (9) is said to have broken \mathcal{PT} -symmetry for $|\gamma| > \gamma_0$.

If $\epsilon = 0$, the zero equilibrium is only linearly stable for $|\gamma| < |\Omega|$. Since the localized breathers cannot be stable when the zero background is unstable, we shall study stability of breathers only for the case when $|\gamma| < |\Omega|$, that is, in the regime of unbroken \mathcal{PT} -symmetry.

6. Variational Characterization of Breathers

It follows from Theorem 1 that each interior point on the solution branches shown on Figure 2 generates a fundamental breather of the \mathcal{PT} -symmetric dNLS Equation (9). We shall now characterize these breathers as relative equilibria of the energy function.

Thanks to the cross-gradient symplectic Structure (16), the stationary \mathcal{PT} -symmetric dNLS Equation (21) can be written in the gradient form

$$EU_n = \frac{\partial H_{u,v}}{\partial \bar{V}_n}, \quad EV_n = \frac{\partial H_{u,v}}{\partial \bar{U}_n}, \quad n \in \mathbb{Z} \quad (42)$$

Keeping in mind the additional conserved quantity $Q_{u,v}$ given by Equation (18), we conclude that the stationary solution (U, V) is a critical point of the combined energy function given by

$$H_E := H_{u,v} - EQ_{u,v} \quad (43)$$

If we want to apply the Lyapunov method in order to study nonlinear stability of stationary solutions in Hamiltonian systems, we shall investigate convexity of the second variation of the combined energy functional H_E at (U, V) . Using the expansion $u = U + \mathbf{u}$, $v = V + \mathbf{v}$ and introducing extended variables Φ and ϕ with the blocks

$$\Phi_n := (U_n, \bar{U}_n, V_n, \bar{V}_n), \quad \phi_n := (\mathbf{u}_n, \bar{\mathbf{u}}_n, \mathbf{v}_n, \bar{\mathbf{v}}_n) \quad (44)$$

we can expand the smooth function H_E up to the quadratic terms in ϕ :

$$H_E(\Phi + \phi) = H_E(\Phi) + \frac{1}{2} \langle \mathcal{H}_E'' \phi, \phi \rangle_{l^2} + \mathcal{O}(\|\phi\|_{l^2}^3) \quad (45)$$

where \mathcal{H}_E'' is the self-adjoint (Hessian) operator defined on $\ell^2(\mathbb{Z})$ and the scalar product was used in the following form:

$$\langle x, y \rangle_{\ell^2} = \sum_{k \in \mathbb{Z}} x_k \bar{y}_k$$

Using Equations (17) and (18), the Hessian operator can be computed explicitly as follows

$$\mathcal{H}_E'' = \mathcal{L} + \epsilon \Delta \tag{46}$$

where blocks of \mathcal{L} at each lattice node $n \in \mathbb{Z}$ are given by

$$\mathcal{L}_n = \begin{bmatrix} \Omega + 8|U_n|^2 & 2(U_n^2 + \bar{U}_n^2) & -E - i\gamma + 4(U_n^2 + \bar{U}_n^2) & 4|U_n|^2 \\ 2(U_n^2 + \bar{U}_n^2) & \Omega + 8|U_n|^2 & 4|U_n|^2 & -E + i\gamma + 4(U_n^2 + \bar{U}_n^2) \\ -E + i\gamma + 4(U_n^2 + \bar{U}_n^2) & 4|U_n|^2 & \Omega + 8|U_n|^2 & 2(U_n^2 + \bar{U}_n^2) \\ 4|U_n|^2 & -E - i\gamma + 4(U_n^2 + \bar{U}_n^2) & 2(U_n^2 + \bar{U}_n^2) & \Omega + 8|U_n|^2 \end{bmatrix}$$

and Δ is the discrete Laplacian operator applied to blocks of ϕ at each lattice node $n \in \mathbb{Z}$:

$$(\Delta\phi)_n = \phi_{n+1} - 2\phi_n + \phi_{n-1}$$

In the expression for \mathcal{L}_n , we have used the \mathcal{PT} -symmetry condition $V = \bar{U}$ for the given stationary solution (U, V) .

We study convexity of the combined energy functional H_E at (U, V) . Since the zero equilibrium is linearly stable only for $|\gamma| < |\Omega|$ (if $\epsilon = 0$), we only consider breathers of Theorem 1 for $|\gamma| < |\Omega|$. In order to study eigenvalues of \mathcal{H}_E'' for small values of ϵ , we use the following perturbation theory.

Perturbation Theory for Linear Operators (Theorem VII.1.7 in [32]). *Let $T(\epsilon)$ be a family of bounded operators from Banach space X to itself, which depends analytically on the small parameter ϵ . If the spectrum of $T(0)$ is separated into two parts, the subspaces of X corresponding to the separated parts also depend analytically on ϵ . In particular, the spectrum of $T(\epsilon)$ is separated into two parts for any $\epsilon \neq 0$ sufficiently small.*

With an application of the perturbation theory for linear operators, we prove the following main result of this section.

Theorem 2. *Fix $\gamma \neq 0$, Ω , and E along branches of the \mathcal{PT} -symmetric breathers (U, V) given by Theorem 1 such that $|\Omega| > |\gamma|$ and $E \neq \pm E_0$, where $E_0 := \sqrt{\Omega^2 - \gamma^2} > 0$. For every $\epsilon > 0$ sufficiently small, the operator \mathcal{H}_E'' admits a one-dimensional kernel in $\ell^2(\mathbb{Z})$ spanned by the eigenvector $\sigma\Phi$ due to the gauge invariance, where the blocks of the eigenvector are given by*

$$(\sigma\Phi)_n := (U_n, -\bar{U}_n, V_n, -\bar{V}_n) \tag{47}$$

In addition,

- If $|E| > E_0$, the spectrum of \mathcal{H}_E'' in $\ell^2(\mathbb{Z})$ includes infinite-dimensional positive and negative parts.
- If $|E| < E_0$ and $\Omega < -|\gamma|$, the spectrum of \mathcal{H}_E'' in $\ell^2(\mathbb{Z})$ includes an infinite-dimensional negative part and either three or one simple positive eigenvalues for branches (b) and (c) of Lemma 1 respectively.

Proof. If $\epsilon = 0$, the breather solution of Theorem 1 is given by $U_n = 0$ for every $n \neq 0$ and $U_0 = Ae^{i\theta}$, where A and θ are defined by Lemma 1. In this case, the linear operator $\mathcal{H}_E'' = \mathcal{L}$ decouples into 4-by-4 blocks for each lattice node $n \in \mathbb{Z}$.

For $n = 0$, the 4-by-4 block of the linear operator \mathcal{L} is given by

$$\mathcal{L}_0 = \begin{bmatrix} \Omega + 8A^2 & 4A^2 \cos(2\theta) & -E - i\gamma + 8A^2 \cos(2\theta) & 4A^2 \\ 4A^2 \cos(2\theta) & \Omega + 8A^2 & 4A^2 & -E + i\gamma + 8A^2 \cos(2\theta) \\ -E + i\gamma + 8A^2 \cos(2\theta) & 4A^2 & \Omega + 8A^2 & 4A^2 \cos(2\theta) \\ 4A^2 & -E - i\gamma + 8A^2 \cos(2\theta) & 4A^2 \cos(2\theta) & \Omega + 8A^2 \end{bmatrix}$$

Using Relations (24) and (25), as well as symbolic computations with MAPLE, we found that the 4-by-4 matrix block \mathcal{L}_0 admits a simple zero eigenvalue and three nonzero eigenvalues $\mu_1, \mu_2,$ and μ_3 given by

$$\mu_1 = 2(4A^2 + \Omega) \tag{48}$$

$$\mu_{2,3} = 12A^2 + \Omega \pm \sqrt{(4A^2 - \Omega)^2 + \frac{16\Omega A^2 \gamma^2}{(4A^2 + \Omega)^2}} \tag{49}$$

For each branch of Lemma 1 with $\gamma \neq 0$ and $E \neq \pm E_0$, we have $4A^2 + \Omega \neq 0$, so that $\mu_1 \neq 0$. Furthermore, either $\mu_2 = 0$ or $\mu_3 = 0$ if and only if

$$(12A^2 + \Omega)^2(4A^2 + \Omega)^2 = (16A^4 - \Omega^2)^2 + 16\Omega\gamma^2 A^2$$

Expanding this equation for nonzero A yields Constraint (37). With the exception of a single point $E = 0$ at $\Omega = -2|\gamma|$, we showed in Lemma 2 that the Constraint (37) does not hold for any of the branches of Lemma 1. Therefore, $\mu_2 \neq 0$ and $\mu_3 \neq 0$ along each branch of Lemma 1 and the signs of $\mu_1, \mu_2,$ and μ_3 for each branch of Lemma 1 can be obtained in the limit $A \rightarrow \infty$ for branches (a) and (b) or $A \rightarrow 0$ for branch (c). By means of these asymptotic computations as $A \rightarrow \infty$ or $A \rightarrow 0$, we obtain the following results for the three branches shown on Figure 2:

- (a) $\mu_1, \mu_2, \mu_3 > 0$.
- (b) $\mu_1, \mu_2, \mu_3 > 0$.
- (c) $\mu_1 < 0, \mu_2 > 0,$ and $\mu_3 < 0$.

For $n \in \mathbb{Z} \setminus \{0\}$, the 4-by-4 block of the linear operator \mathcal{L} is given by

$$\mathcal{L}_n = \begin{bmatrix} \Omega & 0 & -E - i\gamma & 0 \\ 0 & \Omega & 0 & -E + i\gamma \\ -E + i\gamma & 0 & \Omega & 0 \\ 0 & -E - i\gamma & 0 & \Omega \end{bmatrix} \tag{50}$$

Each block has two double eigenvalues μ_+ and μ_- given by

$$\mu_+ = \Omega + \sqrt{E^2 + \gamma^2}, \quad \mu_- = \Omega - \sqrt{E^2 + \gamma^2}$$

Since there are infinitely many nodes with $n \neq 0$, the points μ_+ and μ_- have infinite multiplicity in the spectrum of the linear operator \mathcal{L} . Furthermore, we can sort up the signs of μ_+ and μ_- for each point on the three branches shown on Figure 2:

- (1),(3) If $|E| > E_0 := \sqrt{\Omega^2 - \gamma^2}$, then $\mu_+ > 0$ and $\mu_- < 0$.
- (2),(4) If $|E| < E_0$ and $\Omega < -|\gamma|$, then $\mu_+, \mu_- < 0$.

By using the perturbation theory for linear operators, we argue as follows:

- Since \mathcal{H}_E'' is Hermitian on $\ell^2(\mathbb{Z})$, its spectrum is a subset of the real line for every $\epsilon \neq 0$.
- The zero eigenvalue persists with respect to $\epsilon \neq 0$ at zero because the Eigenvector (47) belongs to the kernel of \mathcal{H}_E'' due to the gauge invariance for every $\epsilon \neq 0$.
- The other eigenvalues of \mathcal{L} are isolated away from zero. The spectrum of \mathcal{H}_E'' is continuous with respect to ϵ and includes infinite-dimensional parts near points μ_+ and μ_- for small $\epsilon > 0$ (which may include continuous spectrum and isolated eigenvalues) as well as simple eigenvalues near $\mu_{1,2,3}$ (if $\mu_{1,2,3}$ are different from μ_{\pm}).

The statement of the theorem follows from the perturbation theory and the count of signs of $\mu_{1,2,3}$ and μ_{\pm} above. \square

Remark 4. In the asymptotic limit $E^2 = 64A^4 + \mathcal{O}(A^2)$ as $A \rightarrow \infty$, we can sort out eigenvalues of \mathcal{H}_E'' asymptotically as:

$$\mu_1 \approx |E|, \quad \mu_2 \approx 2|E|, \quad \mu_3 \approx |E|, \quad \mu_+ \approx |E|, \quad \mu_- \approx -|E| \tag{51}$$

where the remainder terms are $\mathcal{O}(1)$ as $|E| \rightarrow \infty$. The values μ_1, μ_3 , and μ_+ are close to each other as $|E| \rightarrow \infty$.

Remark 5. It follows from Theorem 2 that for $|E| > E_0$, the breather (U, V) is a saddle point of the energy functional H_E with infinite-dimensional positive and negative invariant subspaces of the Hessian operator \mathcal{H}_E'' . This is very similar to the Hamiltonian systems of the Dirac type, where stationary states are located in the gap between the positive and negative continuous spectrum. This property holds for points 1 and 3 on branches (a) and (b) shown on Figure 2.

Remark 6. No branches other than $|E| > E_0$ exist for $\Omega > |\gamma|$. On the other hand, points 2 and 4 on branches (b) and (c) shown on Figure 2 satisfy $|E| < E_0$ and $\Omega < -|\gamma|$. The breather (U, V) is a saddle point of H_E for these points and it only has three (one) directions of positive energy in space $\ell^2(\mathbb{Z})$ for point 2 (point 4).

7. Spectral and Orbital Stability of Breathers

Spectral stability of breathers can be studied for small values of coupling constant ϵ by using the perturbation theory [30]. First, we linearize the \mathcal{PT} -symmetric dNLS Equation (9) at the Breather (19) by using the expansion

$$u(t) = e^{-\frac{1}{2}iEt} [U + \mathbf{u}(t)], \quad v(t) = e^{-\frac{1}{2}iEt} [V + \mathbf{v}(t)]$$

where (\mathbf{u}, \mathbf{v}) is a small perturbation satisfying the linearized equations

$$\begin{cases} 2i\dot{\mathbf{u}}_n + E\mathbf{u}_n = \epsilon (\mathbf{v}_{n+1} - 2\mathbf{v}_n + \mathbf{v}_{n-1}) + \Omega\mathbf{v}_n + i\gamma\mathbf{u}_n \\ \quad + 2 [2 (|U_n|^2 + |V_n|^2) \mathbf{v}_n + (U_n^2 + V_n^2)\bar{\mathbf{v}}_n + 2(\bar{U}_n V_n + U_n \bar{V}_n)\mathbf{u}_n + 2U_n V_n \bar{\mathbf{u}}_n] \\ 2i\dot{\mathbf{v}}_n + E\mathbf{v}_n = \epsilon (\mathbf{u}_{n+1} - 2\mathbf{u}_n + \mathbf{u}_{n-1}) + \Omega\mathbf{u}_n - i\gamma\mathbf{v}_n \\ \quad + 2 [2 (|U_n|^2 + |V_n|^2) \mathbf{u}_n + (U_n^2 + V_n^2)\bar{\mathbf{u}}_n + 2(\bar{U}_n V_n + U_n \bar{V}_n)\mathbf{v}_n + 2U_n V_n \bar{\mathbf{v}}_n] \end{cases} \tag{52}$$

The spectral stability problem arises from the linearized Equation (52) after the separation of variables:

$$\mathbf{u}(t) = \phi e^{\frac{1}{2}\lambda t}, \quad \bar{\mathbf{u}}(t) = \psi e^{\frac{1}{2}\lambda t}, \quad \mathbf{v}(t) = \chi e^{\frac{1}{2}\lambda t}, \quad \bar{\mathbf{v}}(t) = \nu e^{\frac{1}{2}\lambda t}$$

where $\phi := (\varphi, \psi, \chi, \nu)$ is the eigenvector corresponding to the spectral parameter λ . Note that (φ, ψ) and (χ, ν) are no longer complex conjugate to each other if λ has a nonzero imaginary part. The spectral problem can be written in the explicit form

$$\begin{cases} (E + i\lambda - i\gamma)\varphi_n - \Omega\chi_n = \epsilon (\chi_{n+1} - 2\chi_n + \chi_{n-1}) \\ \quad + 2 [2|U_n|^2(\psi_n + 2\chi_n) + (U_n^2 + \bar{U}_n^2)(2\varphi_n + \nu_n)] \\ (E - i\lambda + i\gamma)\psi_n - \Omega\nu_n = \epsilon (\nu_{n+1} - 2\nu_n + \nu_{n-1}) \\ \quad + 2 [2|U_n|^2(\varphi_n + 2\nu_n) + (U_n^2 + \bar{U}_n^2)(2\psi_n + \chi_n)] \\ (E + i\lambda + i\gamma)\chi_n - \Omega\varphi_n = \epsilon (\varphi_{n+1} - 2\varphi_n + \varphi_{n-1}) \\ \quad + 2 [2|U_n|^2(2\varphi_n + \nu_n) + (U_n^2 + \bar{U}_n^2)(\psi_n + 2\chi_n)] \\ (E - i\lambda - i\gamma)\nu_n - \Omega\psi_n = \epsilon (\psi_{n+1} - 2\psi_n + \psi_{n-1}) \\ \quad + 2 [2|U_n|^2(2\psi_n + \chi_n) + (U_n^2 + \bar{U}_n^2)(\varphi_n + 2\nu_n)] \end{cases} \tag{53}$$

where we have used the condition $V = \bar{U}$ for the \mathcal{PT} -symmetric breathers. Recalling definition of the Hessian operator \mathcal{H}_E'' in Equation (46), we can rewrite the spectral Problem (53) in the Hamiltonian form:

$$\mathcal{S}\mathcal{H}_E''\phi = i\lambda\phi \tag{54}$$

where \mathcal{S} is a symmetric matrix with the blocks at each lattice node $n \in \mathbb{Z}$ given by

$$S := \begin{bmatrix} 0 & 0 & 1 & 0 \\ 0 & 0 & 0 & -1 \\ 1 & 0 & 0 & 0 \\ 0 & -1 & 0 & 0 \end{bmatrix} \tag{55}$$

We note the Hamiltonian symmetry of the eigenvalues of the spectral Problem (54).

Proposition 2. *Eigenvalues of the spectral Problem (54) occur either as real or imaginary pairs or as quadruplets in the complex plane.*

Proof. Assume that $\lambda \in \mathbb{C}$ is an eigenvalue of the spectral Problem (54) with the eigenvector $(\varphi, \psi, \chi, \nu)$. Then, $\bar{\lambda}$ is an eigenvalue of the same problem with the eigenvector $(\bar{\psi}, \bar{\varphi}, \bar{\nu}, \bar{\chi})$, whereas $-\lambda$ is also an eigenvalue with the eigenvector $(\nu, \chi, \psi, \varphi)$. \square

If $\Omega < -|\gamma|$ and $|E| < E_0 := \sqrt{\Omega^2 - \gamma^2}$ (points 2 and 4 shown on Figure 2), Theorem 2 implies that the self-adjoint operator \mathcal{H}_E'' in $\ell^2(\mathbb{Z})$ is negative-definite with the exception of either three (point 2) or one (point 4) simple positive eigenvalues. In this case, we can apply the following Hamilton–Krein index theorem in order to characterize the spectrum of $S\mathcal{H}_E''$.

Hamilton–Krein Index Theorem (Theorem 3.3 in [33]). *Let L be a self-adjoint operator in ℓ^2 with finitely many negative eigenvalues $n(L)$, a simple zero eigenvalue with eigenfunction v_0 , and the rest of its spectrum is bounded from below by a positive number. Let J be a bounded invertible skew-symmetric operator in ℓ^2 . Let k_r be a number of positive real eigenvalues of JL , k_c be a number of quadruplets $\{\pm\lambda, \pm\bar{\lambda}\}$ that are neither in \mathbb{R} nor in $i\mathbb{R}$, and k_i^- be a number of purely imaginary pairs of eigenvalues of JL whose invariant subspaces lie in the negative subspace of L . Let $D = \langle L^{-1}J^{-1}v_0, J^{-1}v_0 \rangle_{\ell^2}$ be finite and nonzero. Then,*

$$K_{HAM} = k_r + 2k_c + 2k_i^- = \begin{cases} n(L) - 1, & D < 0 \\ n(L), & D > 0 \end{cases} \tag{56}$$

Lemma 3. *Fix $\gamma \neq 0$, $\Omega < -|\gamma|$, and $0 < |E| < E_0$, where $E_0 := \sqrt{\Omega^2 - \gamma^2} > 0$. For every $\epsilon > 0$ sufficiently small, $K_{HAM} = 2$ for branch (b) of Lemma 1 and $K_{HAM} = 0$ for branch (c) of Lemma 1 with $\Omega < -2\sqrt{2}|\gamma|$. For branch (c) with $\Omega \in (-2\sqrt{2}|\gamma|, -|\gamma|)$, there exists a value $E_s \in (0, E_0)$ such that $K_{HAM} = 1$ for $0 < |E| < E_s$ and $K_{HAM} = 0$ for $E_s < |E| < E_0$.*

Proof. If $\gamma \neq 0$, $\Omega < -|\gamma|$, $|E| < E_0$, and $\epsilon > 0$ is sufficiently small, Theorem 2 implies that the spectrum of \mathcal{H}_E'' in $\ell^2(\mathbb{Z})$ has finitely many positive eigenvalues and a simple zero eigenvalue with eigenvector $\sigma\Phi$. Therefore, the Hamilton–Krein index theorem is applied in $\ell^2(\mathbb{Z})$ for $L = -\mathcal{H}_E''$, $J = i\mathcal{S}$, and $v_0 = \sigma\Phi$. We shall verify that

$$\mathcal{H}_E''(\sigma\Phi) = 0, \quad \mathcal{S}\mathcal{H}_E''(\partial_E\Phi) = \sigma\Phi \tag{57}$$

where $\sigma\Phi$ is given by Equation (47) and $\partial_E\Phi$ denotes derivative of Φ with respect to parameter E . The first equation $\mathcal{H}_E''(\sigma\Phi) = 0$ follows by Theorem 2. By differentiating Equation (21) in E , we obtain $\mathcal{H}_E''(\partial_E\Phi) = \mathcal{S}\sigma\Phi$ for every E , for which the solution Φ is differentiable in E . For $\epsilon = 0$, the limiting solution of Lemma 1 is differentiable in E for every $E \neq 0$ and $E \neq \pm E_0$. Due to smoothness of the continuation in ϵ by Theorem 2, this property holds for every $\epsilon > 0$ sufficiently small.

By using Equation (57) with $\mathcal{S}^{-1} = \mathcal{S}$, we obtain

$$D = -\langle (\mathcal{H}_E'')^{-1}\mathcal{S}\sigma\Phi, \mathcal{S}\sigma\Phi \rangle_{\ell^2} = -\langle \partial_E\Phi, \mathcal{S}\sigma\Phi \rangle_{\ell^2} = -\sum_{n \in \mathbb{Z}} \partial_E (U_n \bar{V}_n + \bar{U}_n V_n) = -\frac{dQ_{u,v}}{dE} \tag{58}$$

where we have used the definition of $Q_{u,v}$ in Equation (18). We compute the slope condition at $\epsilon = 0$:

$$\left. \frac{dQ_{u,v}}{dE} \right|_{\epsilon=0} = 2 \frac{d}{dE} \frac{A^2 E}{8A^2 + \Omega} = 4(8A^2 + \Omega) \frac{dA^2}{dE^2} \left[1 - \frac{\Omega \gamma^2}{(4A^2 + \Omega)^3} \right] \tag{59}$$

where Relations (24) and (25) have been used.

For branch (b) of Lemma 1 with $\Omega < -|\gamma|$, we have $dA^2/dE^2 > 0$ and $|\Omega| < 4A^2$, so that $dQ_{u,v}/dE > 0$. By continuity, $dQ_{u,v}/dE$ remains strictly positive for small $\epsilon > 0$. Thus, $D < 0$ and $K_{HAM} = 2$ by the Hamilton–Krein index theorem.

For branch (c) of Lemma 1 with $\Omega < -|\gamma|$, we have $dA^2/dE^2 < 0$ and $|\Omega| > 8A^2$. Therefore, we only need to inspect the sign of the expression $(4A^2 + \Omega)^3 - \Omega \gamma^2$. If $\Omega < -2\sqrt{2}|\gamma|$, then for every $A^2 \in (0, A_-^2)$, we have

$$(4A^2 + \Omega)^3 - \Omega \gamma^2 \leq (4A_-^2 + \Omega)^3 - \Omega \gamma^2 = \frac{1}{8} \Omega^3 - \Omega \gamma^2 \leq \frac{1}{8} \Omega (\Omega^2 - 8\gamma^2) < 0$$

therefore, $D < 0$ and $K_{HAM} = 0$ by the Hamilton–Krein index theorem.

On the other hand, if $-2\sqrt{2}|\gamma| < \Omega < -|\gamma|$, we have $(4A^2 + \Omega)^3 - \Omega \gamma^2 < 0$ at $A = 0$ ($E = E_0$) and $(4A^2 + \Omega)^3 - \Omega \gamma^2 > 0$ at $A = A_-$ ($E = 0$). Since the dependence of A versus E is monotonic, there exists a value $E_s \in (0, E_0)$ such that $K_{HAM} = 1$ for $0 < |E| < E_s$ and $K_{HAM} = 0$ for $E_s < |E| < E_0$. \square

If $K_{HAM} = 0$ and $D \neq 0$, orbital stability of a critical point of H_E in space $\ell^2(\mathbb{Z})$ can be proved from the Hamilton–Krein theorem (see [33] and references therein). Orbital stability of breathers is understood in the following sense.

Definition 1. We say that the breather Solution (19) is orbitally stable in $\ell^2(\mathbb{Z})$ if for every $\nu > 0$ sufficiently small, there exists $\delta > 0$ such that if $\psi(0) \in \ell^2(\mathbb{Z})$ satisfies $\|\psi(0) - \Phi\|_{\ell^2} \leq \delta$, then the unique global solution $\psi(t) \in \ell^2(\mathbb{Z})$, $t \in \mathbb{R}$ to the \mathcal{PT} -symmetric dNLS Equation (9) satisfies the bound

$$\inf_{\alpha \in \mathbb{R}} \|e^{i\alpha} \psi(t) - \Phi\|_{\ell^2} \leq \nu, \quad \text{for every } t \in \mathbb{R} \tag{60}$$

The definition of instability of breathers is given by negating Definition 1. The following result gives orbital stability or instability for branch (c) shown on Figure 2.

Theorem 3. Fix $\gamma \neq 0$, $\Omega < -|\gamma|$, and $0 < |E| < E_0$. For every $\epsilon > 0$ sufficiently small, the breather (U, V) for branch (c) of Lemma 1 is orbitally stable in $\ell^2(\mathbb{Z})$ if $\Omega < -2\sqrt{2}|\gamma|$. For every $\Omega \in (-2\sqrt{2}|\gamma|, -|\gamma|)$, there exists a value $E_s \in (0, E_0)$ such that the breather (U, V) is orbitally stable in $\ell^2(\mathbb{Z})$ if $E_s < |E| < E_0$ and unstable if $0 < |E| < E_s$.

Proof. The theorem is a corollary of Lemma 3 for branch (c) of Lemma 1 and the orbital stability theory from [33]. \square

Orbital stability of breathers for branches (a) and (b) of Lemma 1 does not follow from the standard theory because $K_{HAM} = \infty$ for $|E| > E_0$ and $K_{HAM} = 2 > 0$ for branch (b) with $|E| < E_0$. Nevertheless, by using smallness of parameter ϵ and the construction of the breather (U, V) in Theorem 1, spectral stability of breathers can be considered directly. Spectral stability and instability of breathers is understood in the following sense.

Definition 2. We say that the breather Solution (19) is spectrally stable if $\lambda \in i\mathbb{R}$ for every bounded solution of the spectral Problem (54). On the other hand, if the spectral Problem (54) admits an eigenvalue $\lambda \notin i\mathbb{R}$ with an eigenvector in $\ell^2(\mathbb{Z})$, we say that the breather Solution (19) is spectrally unstable.

The following theorem gives spectral stability of breathers for branches (a) and (b) shown on Figure 2.

Theorem 4. Fix $\gamma \neq 0$, $|\Omega| > |\gamma|$, and E along branches (a) and (b) of Lemma 1 with $E \neq 0$ and $E \neq \pm E_0$. For every $\epsilon > 0$ sufficiently small, the spectral Problem (54) admits a double zero eigenvalue with the generalized eigenvectors

$$\mathcal{H}_E''(\sigma\Phi) = 0, \quad \mathcal{S}\mathcal{H}_E''(\partial_E\Phi) = \sigma\Phi \tag{61}$$

where the eigenvector $\sigma\Phi$ is given by Equation (47) and the generalized eigenvector $\partial_E\Phi$ denotes derivative of Φ with respect to parameter E . For every E such that the following non-degeneracy condition is satisfied,

$$2\sqrt{(4A^2 + \Omega)^2 - \frac{\Omega\gamma^2}{4A^2 + \Omega}} \neq E \pm \sqrt{\Omega^2 - \gamma^2} \tag{62}$$

the breather (U, V) is spectrally stable.

Proof. If $\epsilon = 0$, the breather solution of Theorem 1 is given by $U_n = 0$ for every $n \neq 0$ and $U_0 = Ae^{i\theta}$, where A and θ are defined by Lemma 1. In this case, the spectral Problem (53) decouples into 4-by-4 blocks for each lattice node $n \in \mathbb{Z}$. Recall that $\mathcal{H}_E'' = \mathcal{L}$ at $\epsilon = 0$.

For $n = 0$, eigenvalues λ are determined by the 4-by-4 matrix block $-iS\mathcal{L}_0$. Using Relations (24) and (25), as well as symbolic computations with MAPLE, we found that the 4-by-4 matrix block $-iS\mathcal{L}_0$ has a double zero eigenvalue and a pair of simple eigenvalues at $\lambda = \pm\lambda_0$, where

$$\lambda_0 = 2i\sqrt{(4A^2 + \Omega)^2 - \frac{\Omega\gamma^2}{4A^2 + \Omega}} \tag{63}$$

For $n \in \mathbb{Z} \setminus \{0\}$, eigenvalues λ are determined by the 4-by-4 matrix block $-iS\mathcal{L}_n$, where \mathcal{L}_n is given by Equation (50). If $|\gamma| < |\Omega|$, $E \neq 0$, and $E \neq \pm E_0$, where $E_0 := \sqrt{\Omega^2 - \gamma^2}$, each block has four simple eigenvalues $\pm\lambda_+$ and $\pm\lambda_-$, where

$$\lambda_{\pm} := i(E \pm E_0) \tag{64}$$

so that $\lambda_{\pm} \in i\mathbb{R}$. Since there are infinitely many nodes with $n \neq 0$, the four eigenvalues are semi-simple and have infinite multiplicity.

If $\epsilon > 0$ is sufficiently small, we use perturbation theory for linear operators from Section 6.

- The double zero eigenvalue persists with respect to $\epsilon \neq 0$ at zero because of the gauge invariance of the breather (U, V) (with respect to rotation of the complex phase). Indeed, $\mathcal{H}_E''(\sigma\Phi) = 0$ follows from the result of Theorem 2. The generalized eigenvector is defined by equation $\mathcal{S}\mathcal{H}_E''\Psi = \sigma\Phi$, which is equivalent to equation $\mathcal{H}_E''\Psi = (V, \bar{V}, U, \bar{U})^T$. Differentiating Equation (21) in E , we obtain $\Psi = \partial_E\Phi$. Since $\dim[\text{Ker}(\mathcal{H}_E'')] = 1$ and

$$\langle \sigma\Phi, \mathcal{S}\partial_E\Phi \rangle_{\ell^2} = \sum_{n \in \mathbb{Z}} \partial_E (U_n \bar{V}_n + \bar{U}_n V_n) = \frac{dQ_{u,v}}{dE} \tag{65}$$

the second generalized eigenvector $\tilde{\Psi} \in \ell^2(\mathbb{Z})$ exists as a solution of equation $\mathcal{S}\mathcal{H}_E''\tilde{\Psi} = \partial_E\Phi$ if and only if $dQ_{u,v}/dE = 0$. It follows from the explicit Computation (59) that if $\epsilon = 0$, then $dQ_{u,v}/dE \neq 0$ for every E along branches (a) and (b) of Lemma 1. By continuity, $dQ_{u,v}/dE \neq 0$ for small $\epsilon > 0$. Therefore, the zero eigenvalue of the operator $-i\mathcal{S}\mathcal{H}_E''$ is exactly double for small $\epsilon > 0$.

- Using the same Computation (59), it is clear that $\lambda_0 \in i\mathbb{R}$ for every E along branches (a) and (b) of Lemma 1. Assume that $\lambda_0 \neq \pm\lambda_+$ and $\lambda_0 \neq \pm\lambda_-$, which is expressed by the non-degeneracy Condition (62). Then, the pair $\pm\lambda_0$ is isolated from the rest of the spectrum of the operator $-i\mathcal{S}\mathcal{H}_E''$ at $\epsilon = 0$. Since the eigenvalues $\lambda = \pm\lambda_0$ are simple and purely imaginary, they persist on

the imaginary axis for $\epsilon \neq 0$ because they cannot leave the imaginary axis by the Hamiltonian symmetry of Proposition 2.

- If $|\gamma| < |\Omega|$, $E \neq 0$, and $E \neq \pm E_0$, the semi-simple eigenvalues $\pm\lambda_+$ and $\pm\lambda_-$ of infinite multiplicity are nonzero and located at the imaginary axis at different points for $\epsilon = 0$. They persist on the imaginary axis for $\epsilon \neq 0$ according to the following perturbation argument. First, for the central site $n = 0$, the spectral Problem (53) can be written in the following abstract form

$$(S\mathcal{L}_0(\epsilon) - 2\epsilon S - i\lambda I) \phi_0 = -\epsilon S(\phi_1 + \phi_{-1})$$

where $\mathcal{L}_0(\epsilon)$ denotes a continuation of \mathcal{L}_0 in ϵ . Thanks to the non-degeneracy Condition (62) as well as the condition $\lambda_{\pm} \neq 0$, the matrix $S\mathcal{L}_0 - i\lambda_{\pm}I$ is invertible. By continuity, the matrix $S\mathcal{L}_0(\epsilon) - i\lambda I$ is invertible for every ϵ and λ near $\epsilon = 0$ and $\lambda = \lambda_{\pm}$. Therefore, there is a unique ϕ_0 given by

$$\phi_0 = -\epsilon (S\mathcal{L}_0(\epsilon) - 2\epsilon S - i\lambda I)^{-1} S(\phi_1 + \phi_{-1})$$

which satisfies $|\phi_0| \leq C\epsilon(|\phi_1| + |\phi_{-1}|)$ near $\epsilon = 0$ and $\lambda = \lambda_{\pm}$, where C is a positive ϵ - and λ -independent constant. Next, for either $n \in \mathbb{N}$ or $-n \in \mathbb{N}$, the spectral Problem (53) can be represented in the form

$$S\mathcal{L}_n(\epsilon)\phi_n + \epsilon S(\Delta\phi)_n - i\lambda\phi_n = -\delta_{n,\pm 1}\epsilon S\phi_0, \quad \pm n \in \mathbb{N}$$

where $\mathcal{L}_n(\epsilon)$ denotes a continuation of \mathcal{L}_n given by Equation (50) in ϵ , whereas the operator Δ is applied with zero end-point condition at $n = 0$. We have $\mathcal{L}_n(\epsilon) = \mathcal{L}_n + \mathcal{O}(\epsilon^2)$ and $\epsilon S\phi_0 = \mathcal{O}(\epsilon^2)$ near $\epsilon = 0$ and $\lambda = \lambda_{\pm}$. Therefore, up to the first order of the perturbation theory, the spectral parameter λ near λ_{\pm} is defined from the truncated eigenvalue problem

$$S\mathcal{L}_n\phi_n + \epsilon S(\Delta\phi)_n = i\lambda\phi_n, \quad \pm n \in \mathbb{N} \tag{66}$$

which is solved with the discrete Fourier Transform (40). In order to satisfy the Dirichlet end-point condition at $n = 0$, the sine-Fourier transform must be used, which does not affect the characteristic equation for the purely continuous spectrum of the spectral Problem (66). By means of routine computations, we obtain the characteristic equation in the following form, see also Equation (41):

$$(E \pm i\lambda)^2 + \gamma^2 - \left(\Omega - 4\epsilon \sin^2 \frac{k}{2}\right)^2 = 0 \tag{67}$$

where $k \in [-\pi, \pi]$ is the parameter of the discrete Fourier Transform (40). Solving the characteristic Equation (67), we obtain four branches of the continuous spectrum

$$\lambda = \pm i \left(E \pm \sqrt{\left(\Omega - 4\epsilon \sin^2 \frac{k}{2}\right)^2 - \gamma^2} \right) \tag{68}$$

where the two sign choices are independent from each other. If $|\Omega| > |\gamma|$ is fixed and $\epsilon > 0$ is small, the four branches of the continuous spectrum are located on the imaginary axis near the points $\pm\lambda_+$ and $\pm\lambda_-$ given by Equation (64).

In addition to the continuous spectrum given by Equation (67), there may exist isolated eigenvalues near $\pm\lambda_+$ and $\pm\lambda_-$, which are found from the second-order perturbation theory [34]. Under the condition $E \neq 0$ and $E \neq \pm E_0$, these eigenvalues are purely imaginary. Therefore, the infinite-dimensional part of the spectrum of the operator $-i\mathcal{S}\mathcal{H}_E''$ persists on the imaginary axis for $\epsilon \neq 0$ near the points $\pm\lambda_+$ and $\pm\lambda_-$ of infinite algebraic multiplicity.

The statement of the lemma follows from the perturbation theory and the fact that all isolated eigenvalues and the continuous spectrum of $-i\mathcal{S}\mathcal{H}_E''$ are purely imaginary. \square

Remark 7. In the asymptotic limit $E^2 = 64A^4 + \mathcal{O}(A^2)$ as $A \rightarrow \infty$, the eigenvalues λ_0 and λ_{\pm} defined by Equations (63) and (64) are given asymptotically by

$$\lambda_0 \approx i|E|, \quad \lambda_+ \approx iE, \quad \lambda_- \approx iE \tag{69}$$

where the remainder terms are $\mathcal{O}(1)$ as $|E| \rightarrow \infty$. The values λ_0, λ_+ , and λ_- are close to each other as $E \rightarrow +\infty$.

Remark 8. Computations in the proof of Theorem 4 can be extended to the branch (c) of Lemma 1. Indeed, $\lambda_0 \in i\mathbb{R}$ for branch (c) with either $\Omega < -2\sqrt{2}|\gamma|$ or $\Omega \in (-2\sqrt{2}|\gamma|, -|\gamma|)$, and E near $\pm E_0$. On the other hand, $\lambda_0 \in \mathbb{R}$ if $\Omega \in (-2\sqrt{2}|\gamma|, -|\gamma|)$ and E near 0. As a result, branch (c) is spectrally stable in the former case and is spectrally unstable in the latter case, in agreement with Theorem 3.

Remark 9. Observe in the proof of Theorem 4 that $\lambda_{\pm} \notin i\mathbb{R}$ if $|\Omega| < |\gamma|$. In this case, branch (b) of Lemma 1 is spectrally unstable. This instability corresponds to the instability of the zero equilibrium for $|\Omega| < |\gamma|$, in agreement with the result of Proposition 1.

Before presenting numerical approximations of eigenvalues of the spectral Problem (54), we compute the Krein signature of wave continuum. This helps to interpret instabilities and resonances that arise when isolated eigenvalues $\pm\lambda_0$ cross the continuous bands near points $\pm\lambda_+$ and $\pm\lambda_-$. The Krein signature of simple isolated eigenvalues is defined as follows.

Definition 3. Let $\phi \in \ell^2(\mathbb{Z})$ be an eigenvector of the spectral Problem (54) for an isolated simple eigenvalue $\lambda_0 \in i\mathbb{R}$. Then, the energy quadratic form $\langle \mathcal{H}_E''\phi, \phi \rangle_{\ell^2}$ is nonzero and its sign is called the Krein signature of the eigenvalue λ_0 .

Definition 3 is used to simplify the presentation. Similarly, one can define the Krein signature of isolated multiple eigenvalues and the Krein signature of the continuous spectral bands in the spectral Problem (54) [33]. The following lemma characterizes Krein signatures of the spectral points arising in the proof of Theorem 4.

Lemma 4. Fix $\gamma \neq 0, |\Omega| > |\gamma|$, and $E > 0$ with $E \neq \pm E_0$. Assume the non-degeneracy Condition (62). For every $\epsilon > 0$ sufficiently small, we have the following for the corresponding branches of Lemma 1:

- (a) the subspaces of $-i\mathcal{S}\mathcal{H}_E''$ in $\ell^2(\mathbb{Z})$ near $\pm\lambda_+, \pm\lambda_-$, and $\pm\lambda_0$ have positive, negative, and positive Krein signature, respectively;
- (b) the subspaces of $-i\mathcal{S}\mathcal{H}_E''$ in $\ell^2(\mathbb{Z})$ near $\pm\lambda_+, \pm\lambda_-$, and $\pm\lambda_0$ have negative, positive (if $E > E_0$) or negative (if $E < E_0$), and positive Krein signature, respectively;
- (c) all subspaces of $-i\mathcal{S}\mathcal{H}_E''$ in $\ell^2(\mathbb{Z})$ near $\pm\lambda_+, \pm\lambda_-$, and $\pm\lambda_0$ (if $\lambda_0 \in i\mathbb{R}$) have negative Krein signature.

Proof. We proceed by the perturbation arguments from the limit $\epsilon = 0$, where $-i\mathcal{S}\mathcal{H}_E'' = -i\mathcal{S}\mathcal{L}$ is a block-diagonal operator consisting of 4×4 blocks. In particular, we consider the blocks for $n \in \mathbb{Z} \setminus \{0\}$, where \mathcal{L}_n is given by Equation (50). Solving (53) at $\epsilon = 0$ and $\lambda = \lambda_{\pm}$, we obtain the eigenvector

$$\varphi_n = -\Omega, \quad \psi_n = 0, \quad \chi_n = \pm E_0 + i\gamma, \quad \nu_n = 0, \quad n \in \mathbb{Z} \setminus \{0\}$$

As a result, we obtain for the eigenvector $\phi_n = (\varphi_n, \psi_n, \chi_n, \nu_n)$:

$$\begin{aligned} K_n := \langle \mathcal{L}_n\phi_n, \phi_n \rangle_{\ell^2} &= \Omega(|\varphi_n|^2 + |\chi_n|^2) - (E + i\gamma)\chi_n\bar{\varphi}_n - (E - i\gamma)\varphi_n\bar{\chi}_n \\ &= 2\Omega E_0(E_0 \pm E) \end{aligned}$$

For branch (a), $\Omega > |\gamma|$ and $E > E_0$. Therefore, $K_n > 0$ for $\lambda = \lambda_+$ and $K_n < 0$ for $\lambda = \lambda_-$.

For branch (b), $\Omega < -|\gamma|$ and either $E > E_0$ or $E \in (0, E_0)$. In either case, $K_n < 0$ for $\lambda = \lambda_+$. On the other hand, for $\lambda = \lambda_-$, $K_n > 0$ if $E > E_0$ and $K_n < 0$ if $E \in (0, E_0)$.

For branch (c), $\Omega < -|\gamma|$ and $E \in (0, E_0)$. In this case, $K_n < 0$ for either $\lambda = \lambda_+$ or $\lambda = \lambda_-$.

Finally, the Krein signature for the eigenvalue $\lambda = \lambda_0$ denoted by K_0 follows from the computations of eigenvalues $\mu_{1,2,3}$ in the proof of Theorem 2. We have $K_0 > 0$ for branches (a) and (b) because $\mu_{1,2,3} > 0$ and we have $K_0 < 0$ for branch (c) because $\mu_{1,3} < 0$, whereas the eigenvalue $\mu_2 > 0$ is controlled by the result of Lemma 3.

The signs of all eigenvalues are nonzero and continuous with respect to parameter ϵ . Therefore, the count above extends to the case of small nonzero ϵ . \square

The spectrum of $-i\mathcal{S}\mathcal{H}_E''$ is shown at Figure 3. Panels (a), (b) and (c) correspond to branches shown at Figure 2.

- (a) We can see on panel (a) of Figure 3 that λ_0, λ_{\pm} do not intersect for every $E > E_0$ and are located within fixed distance $\mathcal{O}(1)$, as $|E| \rightarrow \infty$. Note that the upper-most λ_0 and λ_+ have positive Krein signature, whereas the lowest λ_- has negative Krein signature, as is given by Lemma 4.
- (b) We observe on panel (b) of Figure 3 that λ_+ intersects λ_0 , creating a small bubble of instability in the spectrum. The insert shows that the bubble shrinks as $\epsilon \rightarrow 0$, in agreement with Theorem 4. There is also an intersection between λ_- and λ_0 , which does not create instability. These results are explained by the Krein signature computations in Lemma 4. Instability is induced by opposite Krein signatures between λ_+ and λ_0 , whereas crossing of λ_- and λ_0 with the same Krein signatures is safe of instabilities. Note that for small E , the isolated eigenvalue λ_0 is located above both the spectral bands near λ_+ and λ_- . The gap in the numerical data near $E = E_0$ indicates failure to continue the breather solution numerically in ϵ , in agreement with the proof of Theorem 1.
- (c) We observe from panel (c) of Figure 3 that λ_0 and $-\lambda_-$ intersect but do not create instabilities, since all parts of the spectrum have the same signature, as is given by Lemma 4. In fact, the branch is both spectrally and orbitally stable as long as $\lambda_0 \in i\mathbb{R}$, in agreement with Theorem 3. On the other hand, there is $E_s \in (0, E_0)$, if $\Omega \in (-2\sqrt{2}|\gamma|, -|\gamma|)$, such that $\lambda_0 \in \mathbb{R}$ for $E \in (0, E_s)$, which indicates instability of branch (c), again, in agreement with Theorem 3.

As we see on panel (b) of Figure 3, λ_0 intersects λ_+ for some $E = E_* > E_0$. In the remainder of this section, we study whether this crossing point is always located on the right of E_0 . In fact, the answer to this question is negative. We shall prove for branch (b) that the intersection of λ_0 with either λ_+ or $-\lambda_-$ occurs either for $E_* > E_0$ or for $E_* < E_0$, depending on parameters γ and Ω .

Lemma 5. Fix $\gamma \neq 0, \Omega < -|\gamma|$, and $E > 0$ along branch (b) of Lemma 1. There exists a resonance $\lambda_0 = \lambda_+$ at $E = E_*$ with $E_* > E_0$ if $\Omega \in (\Omega_*, -|\gamma|)$ and $E_* \in (0, E_0)$ if $\Omega \in (-5|\gamma|, \Omega_*)$, where

$$\Omega_* := -\frac{\sqrt{1+5\sqrt{2}}}{\sqrt{2}}|\gamma| \tag{70}$$

Moreover, if $\Omega < -5|\gamma|$, there exists a resonance $\lambda_0 = -\lambda_-$ at $E = E_*$ with $E_* \in (0, E_0)$.

Proof. Let us first assume that there exists a resonance $\lambda_0 = \lambda_+$ at $E = E_* = E_0$ and find the condition on γ and Ω , when this is possible. From the Definitions (63) and (64), we obtain the constraint on A^2 :

$$(4A^2 + \Omega)^2 - \frac{\Omega\gamma^2}{4A^2 + \Omega} = E_0^2 = \Omega^2 - \gamma^2$$

After canceling $4A^2$ since $A^2 \geq A_+^2 > 0$ with A_+^2 given by Equation (27), we obtain

$$16A^4 + 12\Omega A^2 + 2\Omega^2 + \gamma^2 = 0$$

which has two roots

$$A^2 = -\frac{3}{8}\Omega \pm \frac{1}{8}\sqrt{\Omega^2 - 4\gamma^2}$$

Since $A^2 \geq A_+^2$, the lower sign is impossible because this leads to a contradiction

$$\sqrt{|\Omega| - 2|\gamma|} - \sqrt{|\Omega| + 2|\gamma|} \geq 0$$

The upper sign is possible if $|\Omega| \geq 2|\gamma|$. Using the Parametrization (25), we substitute the root for A^2 to the equation $E_0^2 = E^2$ and simplify it:

$$\begin{aligned} \Omega^2 - \gamma^2 &= \left(2|\Omega| + \sqrt{\Omega^2 - 4\gamma^2}\right)^2 \left[1 - \frac{4\gamma^2}{\left(|\Omega| + \sqrt{\Omega^2 - 4\gamma^2}\right)^2}\right] \\ &= \frac{2\sqrt{\Omega^2 - 4\gamma^2} \left(2|\Omega| + \sqrt{\Omega^2 - 4\gamma^2}\right)^2}{\left(|\Omega| + \sqrt{\Omega^2 - 4\gamma^2}\right)^2} \end{aligned}$$

This equation further simplifies to the form:

$$\sqrt{\Omega^2 - 4\gamma^2}(9\Omega^2 - 7\gamma^2) + \Omega(31\gamma^2 - 7\Omega^2) = 0$$

Squaring it up, we obtain

$$8\Omega^6 - 4\Omega^4\gamma^2 - 102\Omega^2\gamma^4 - 49\gamma^6 = 0$$

which has only one positive root for Ω^2 given by

$$\Omega^2 = \frac{1 + 5\sqrt{2}}{2}\gamma^2$$

This root yields a formula for Ω_* in Equation (70). Since there is a unique value for $\Omega \in (-\infty, -|\gamma|)$, for which the case $E_* = E_0$ is possible, we shall now consider whether $E_* > E_0$ or $E_* < E_0$ for $\Omega \in (-\infty, \Omega_*)$ or $\Omega \in (\Omega_*, -|\gamma|)$.

To inspect the range $E_* < E_0$, we consider a particular case, for which the intersection $\lambda_0 = \lambda_+ = -\lambda_-$ happens at $E = 0$. In this case, $A^2 = A_+^2$ given by Equation (27), so that the condition $\lambda_0^2 = -E_0^2$ can be rewritten as

$$4(\gamma^2 - |\gamma|\Omega) = \Omega^2 - \gamma^2$$

There is only one negative root for Ω and it is given by $\Omega = -5|\gamma|$. By continuity, we conclude that $\lambda_0 = \lambda_+$ for $\Omega \in (-5|\gamma|, \Omega_*)$ and $\lambda_0 = -\lambda_-$ for $\Omega \in (-\infty, -5|\gamma|)$, both cases correspond to $E_* \in (0, E_0)$.

Finally, we verify that the case $\lambda_0 = \lambda_+$ occurs for $E_* > E_0$ if $\Omega \in (\Omega_*, -|\gamma|)$. Indeed, $\lambda_0 = i(8A^2 + 2\Omega + \mathcal{O}(A^{-2}))$ and $\lambda_+ = i(8A^2 + \Omega + E_0 + \mathcal{O}(A^{-2}))$ as $A \rightarrow \infty$, so that $\text{Im}(\lambda_0) < \text{Im}(\lambda_+)$ as $E \rightarrow \infty$. On the other hand, the previous estimates suggest that $\text{Im}(\lambda_0) > \text{Im}(\lambda_+)$ for every $E \in (0, E_0)$ if $\Omega \in (\Omega_*, -|\gamma|)$. Therefore, there exists at least one intersection $\lambda_0 = \lambda_+$ for $E_* > E_0$ if $\Omega \in (\Omega_*, -|\gamma|)$. \square

Remark 10. The existence of the resonance at $E = 0$ for some parameter configurations predicted by Lemma 5 is in agreement with the numerical results in [25,26] on the scalar parametrically forced dNLS equation that follows from System (5) under the Reduction (6). It was reported in [25,26] that the instability bubble for breather solutions may appear for every nonzero coupling constant ϵ in a narrow region of the parameter space.

8. Summary

We have reduced Newton's equation of motion for coupled pendula shown on Figure 1 under a resonant periodic force to the \mathcal{PT} -symmetric dNLS Equation (9). We have shown that this system is Hamiltonian with conserved Energy (17) and an additional conserved Quantity (18). We have studied breather solutions of this model, which generalize symmetric synchronized oscillations of coupled pendula that arise if $E = 0$. We showed existence of three branches of breathers shown on Figure 2. We also investigated their spectral stability analytically and numerically. The spectral information on each branch of solutions is shown on Figure 3. For branch (c), we were also able to prove orbital stability and instability from the energy method. The technical results of this paper are summarized in Table 1 and described as follows.

For branch (a), we found that it is disconnected from the symmetric synchronized oscillations at $E = 0$. Along this branch, breathers of small amplitudes A are connected to breathers of large amplitudes A . Every point on the branch corresponds to the saddle point of the energy function between two wave continua of positive and negative energies. Every breather along the branch is spectrally stable and is free of resonance between isolated eigenvalues and continuous spectrum. In the follow-up work [21], we will prove long-time orbital stability of breathers along this branch.

For branch (b), we found that the large-amplitude breathers as $E \rightarrow \infty$ are connected to the symmetric synchronized oscillations at $E = 0$, which have the smallest (but nonzero) amplitude $A = A_+$. Breathers along the branch are spectrally stable except for a narrow instability bubble, where the isolated eigenvalue λ_0 is in resonance with the continuous spectrum. The instability bubble can occur either for $E > E_0$, where the breather is a saddle point of the energy function between two wave continua of opposite energies or for $E < E_0$, where the breather is a saddle point between the two negative-definite wave continua and directions of positive energy. When the isolated eigenvalue of positive energy λ_0 is above the continuous spectrum near λ_+ and $\pm\lambda_-$, orbital stability of breathers can be proved by using the technique in [35], which was developed for the dNLS equation.

Finally, for branch (c), we found that the small-amplitude breathers at $E \rightarrow E_0$ are connected to the symmetric synchronized oscillations at $E = 0$, which have the largest amplitude $A = A_-$. Breathers are either spectrally stable near $E = E_0$ or unstable near $E = 0$, depending on the detuning frequency Ω and the amplitude of the periodic resonant force γ . When breathers are spectrally stable, they are also orbitally stable for infinitely long times.

Acknowledgments: The authors thank I.V. Barashenkov and P.G. Kevrekidis for useful discussions regarding this project. The work of A.C. is supported by the graduate scholarship at McMaster University. The work of D.P. is supported by the Ministry of Education and Science of Russian Federation (the base part of the State task No. 2014/133, project No. 2839).

Author Contributions: The results of this research article are obtained by A. Chernyavsky under the supervision of D.E. Pelinovsky.

Conflicts of Interest: The authors declare no conflict of interest.

References

1. Huygens, C. *The Pendulum Clock or Geometrical Demonstrations Concerning the Motion of Pendula as Applied to Clocks*; Iowa State University Press Series in the History of Technology and Science (Iowa State University Press): Ames, IA, USA, 1986.
2. Blekhman, I.I. *Synchronization in Science and Technology*; ASME Press: New York, NY, USA, 1988.
3. Nijmeijer, H.; Rodriguez-Angeles, A. *Synchronization of Mechanical Systems*; World Scientific: Singapore, 2003.
4. Mohamed, Y.A.R.I.; Rahman, M.A.; Seethapathy, R. Robust line-voltage sensorless control and synchronization of LCL-filtered distributed generation inverters for high power quality grid connection. *IEEE Trans. Power Electron.* **2012**, *27*, 87–98.
5. Pikovsky, A.; Rosenblum, M.; Kurths, J. *Synchronization: A Universal Concept in Nonlinear Sciences*; Cambridge Nonlinear Science Series 12; Cambridge University Press: Cambridge, UK, 2003.

6. Bennett, M.; Schatz, M.F.; Rockwood, H.; Wiesenfeld, K. Huygens's clocks. *Proc. Roy. Soc. Lond. A* **2002**, *458*, 563–579.
7. Kumon, M.; Washizaki, R.; Sato, J.; Mizumoto, R.K.I.; Iwai, Z. Controlled synchronization of two 1-DOF coupled oscillators. In Proceedings of the 15th IFAC World Congress, Barcelona, Spain, 21–26 July 2002.
8. Pantaleone, J. Synchronization of metronomes. *Am. J. Phys.* **2002**, *70*, 992–1000.
9. Czolczynski, K.; Perlikowski, P.; Stefanski, A.; Kapitaniak, T. Clustering of non-identical clocks. *Prog. Theor. Phys.* **2011**, *125*, 473–490.
10. Bender, C.M. Making sense of non-Hermitian Hamiltonians. *Rep. Prog. Phys.* **2007**, *70*, 947.
11. Schindler, J.; Li, A.; Zheng, M.C.; Ellis, F.M.; Kottos, T. Experimental study of active LRC circuits with PT symmetries. *Phys. Rev. A* **2011**, *84*, 040101.
12. Rubinstein, J.; Sternberg, P.; Ma, Q. Bifurcation diagram and pattern formation of phase slip centers in superconducting wires driven with electric currents. *Phys. Rev. Lett.* **2007**, *99*, 167003.
13. Barashenkov, I.V.; Baker, L.; Alexeeva, N.V. PT-symmetry breaking in a necklace of coupled optical waveguides. *Phys. Rev. A* **2013**, *87*, 033819.
14. Rüter, C.E.; Makris, K.G.; El-Ganainy, R.; Christodoulides, D.N.; Segev, M.; Kip, D. Observation of parity–time symmetry in optics. *Nat. Phys.* **2010**, *6*, 192–195.
15. Bittner, S.; Dietz, B.; Günther, U.; Harney, H.L.; Miski-Oglu, M.; Richter, A.; Schäfer, F. PT Symmetry and Spontaneous Symmetry Breaking in a Microwave Billiard. *Phys. Rev. Lett.* **2012**, *108*, 024101.
16. Bender, C.M.; Berntson, B.; Parker, D.; Samuel, E. Observation of PT phase transition in a simple mechanical system. *Am. J. Phys.* **2013**, *81*, 173.
17. Barashenkov, I.V. Hamiltonian formulation of the standard PT-symmetric nonlinear Schrödinger dimer. *Phys. Rev. A* **2014**, *90*, 045802.
18. Pickton, J.; Susanto, H. On the integrability of PT-symmetric dimers. *Phys. Rev. A* **2013**, *88*, 063840.
19. Barashenkov, I.V.; Gianfreda, M. An exactly solvable PT-symmetric dimer from a Hamiltonian system of nonlinear oscillators with gain and loss. *J. Phys. A: Math. Theor.* **2014**, *47*, 282001.
20. Barashenkov, I.V.; Pelinovsky, D.E.; Dubard, P. Dimer with gain and loss: Integrability and-symmetry restoration. *J. Phys. A: Math. Theor.* **2015**, *48*, 325201.
21. Chernyavsky, A.; Pelinovsky, D.E. Long-time stability of breathers in Hamiltonian \mathcal{PT} -symmetric lattices. **2016**, arXiv:1606.02333.
22. Kontorova, T.A.; Frenkel, Y.I. The model of dislocation in solid body. *Zh. Eksp. Teor. Fiz.* **1938**, *8*, 1340–1348.
23. Braun, O.; Kivshar, Y. *The Frenkel-Kontorova Model: Concepts, Methods, and Applications*; Springer: Berlin/Heidelberg, Germany, 2013.
24. Pelinovsky, D.; Penati, T.; Paleari, S. Approximation of small-amplitude weakly coupled oscillators with discrete nonlinear Schrödinger equations. **2015**, arXiv:1509.06389.
25. Susanto, H.; Hoq, Q.E.; Kevrekidis, P.G. Stability of discrete solitons in the presence of parametric driving. *Phys. Rev. E* **2006**, *74*, 067601.
26. Syafwan, M.; Susanto, H.; Cox, S.M. Discrete solitons in electromechanical resonators. *Phys. Rev. E* **2010**, *81*, 026207.
27. Kevrekidis, P.G. *The Discrete Nonlinear Schrödinger Equation*; Springer-Verlag: Berlin/Heidelberg, Germany, 2009.
28. Barashenkov, I.V.; Zemlyanaya, E.V.; van Heerden, T.C. Time-periodic solutions in a damped-driven nonlinear Schrödinger equation. *Phys. Rev. E* **2011**, *83*, 056609.
29. Kevrekidis, P.G.; Pelinovsky, D.E.; Tyugin, D.Y. Nonlinear stationary states in PT-symmetric lattices. *SIAM J. Appl. Dyn. Syst.* **2013**, *12*, 1210–1236.
30. Pelinovsky, D.E.; Zezyulin, D.A.; Konotop, V.V. Nonlinear modes in a generalized PT-symmetric discrete nonlinear Schrödinger equation. *J. Phys. A: Math. Theor.* **2014**, *47*, 085204.
31. Zeidler, E. *Applied Functional Analysis: Main Principles and Their Applications*; Applied Mathematical Sciences 109; Springer-Verlag: New York, NY, USA, 1995.
32. Kato, T. *Perturbation Theory for Linear Operators*; Springer-Verlag: Berlin/Heidelberg, Germany, 1995.
33. Kapitula, T.; Kevrekidis, P.G.; Sanstede, B. Counting eigenvalues via the Krein signature in infinite-dimensional Hamiltonian systems. *Physica D* **2004**, *195*, 263–282.
34. Pelinovsky, D.; Sakovich, A. Internal modes of discrete solitons near the anti-continuum limit of the dNLS equation. *Physica D* **2011**, *240*, 265–281.

35. Cuccagna, S. Orbitally but not asymptotically stable ground states for the discrete NLS. *Discr. Cont. Dyn. Syst.* **2010**, *26*, 105–134.



© 2016 by the authors; licensee MDPI, Basel, Switzerland. This article is an open access article distributed under the terms and conditions of the Creative Commons Attribution (CC-BY) license (<http://creativecommons.org/licenses/by/4.0/>).